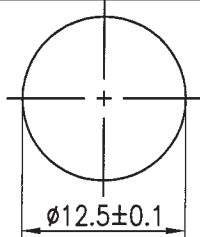

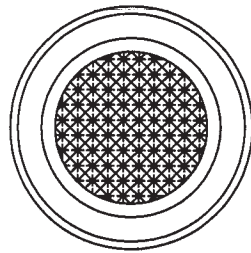
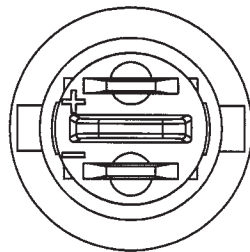
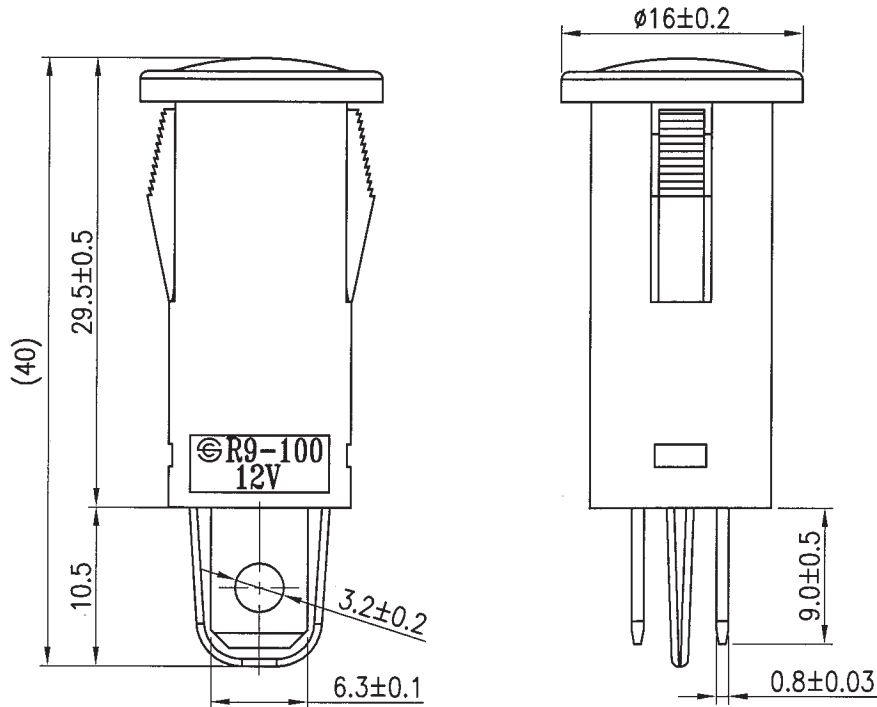


Rating	12V DC	Mounting Hole 	Circuit Diagram 
Insulation Resistance	DC 500V 100M Ohm Min		
Dielectric Strength	AC 500V 1Min.		
Operation Temperature	-20°C~+85°C		



Material:  
Housing: PC, Amber clear  
Base: Nylon #66+33%GF, Black  
LED: Amber



原稿  
2015.4.11  
研發部

Tolerances Unless Otherwise Specified  $\pm 0.3$

								△
								△
Date	Name	Description					NO	
Drawn	Checked	Approved	SCI BOM No.	1720262	Model Name	LED Indicator		
曹盈芳		<i>王/06</i>	Customer No.		Model No.	R9-100L-01	Rev.	
05/02/14		<i>5/2/14</i>	Unit	mm	Shin Chin Industrial Co., Ltd.			0