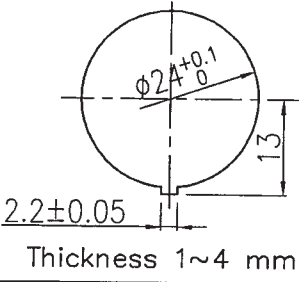
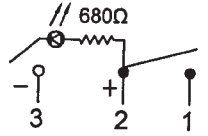
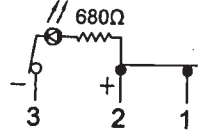
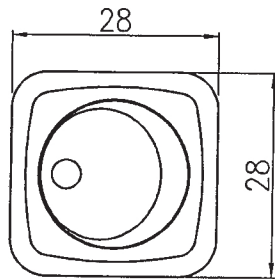
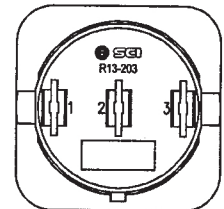
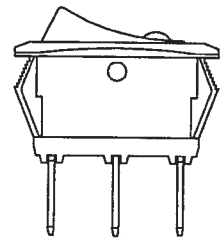
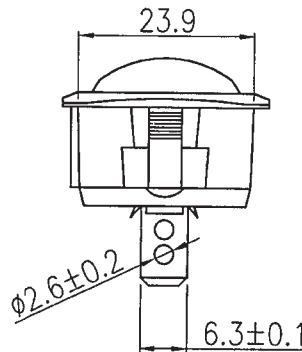
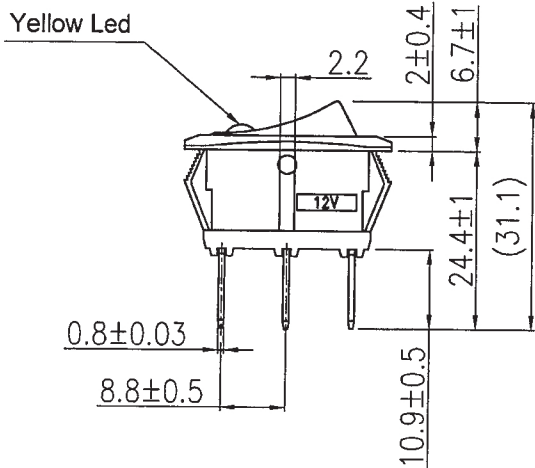


Rating	25A 12V DC	Mounting Hole 	Circuit Diagram		
Contact Resistance	50m ohm Max.		OFF		
Insulation Resistance	DC 500V 100M ohm Min.		ON		
Dielectric Strength	AC 1500V 1 minute				
Operation Temperature	-20°C ~ 65°C				
Switch Function	3P SPST ON-OFF (LED dependent)				



Material:
 Frame: Black, Nylon#66
 Actuator: Black, Nylon#66 +33%GF,
 LED: Yellow



Tolerances ± 0.3 Unless Otherwise Specified

								△	
								△	
Date	Name	Description						No.	
Drawn	Checked	Approved	SCI BOM No.	1821492	Model Name	ROCKER SWITCH			
何珅	馬志輝	Simon	Customer No.		Model No.	R13-203L-01		Rev.	
09/10/15	9/10/15	9/10/15	Unit	mm	Shin Chin Industrial Co., Ltd.				0