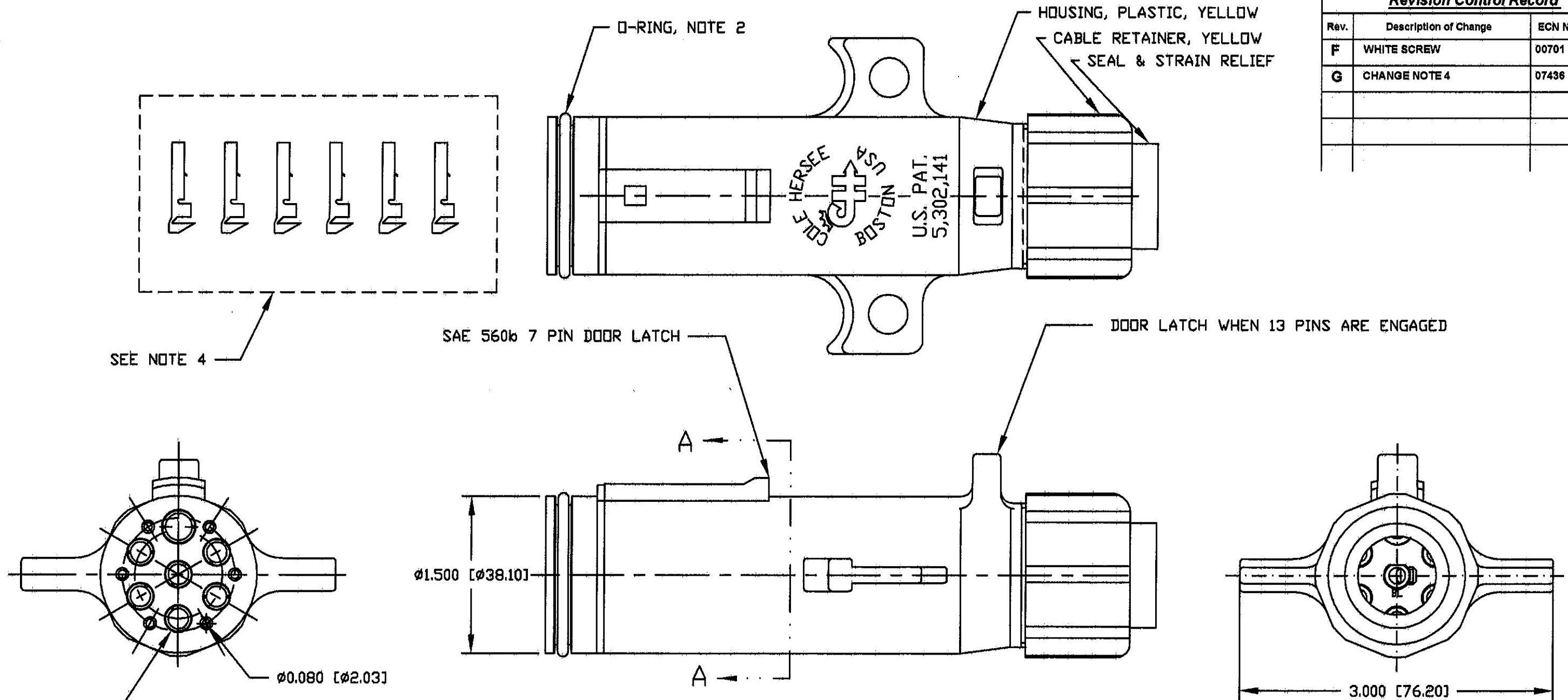


Revision Control Record

Rev.	Description of Change	ECN No.	Date
F	WHITE SCREW	00701	9/19/00
G	CHANGE NOTE 4	07436	11/09/07



- NOTES:**
1. ALL DIMENSIONS ARE REFERENCE ONLY
 2. O RING SEALS WHEN PLUG IS INSERTED INTO 13 PIN SOCKET
 3. WHITE TERMINAL WILL ACCEPT UP TO 8 GA [8.0 MM SQ] WIRE LEAD. BLACK, BLUE, BROWN, GREEN, RED, AND YELLOW TERMINALS WILL ACCEPT UP TO 10 GA [5.0 MM SQ] WIRE LEADS. COLE HERSEE TERMINAL #31784 WILL ACCEPT 14 GA [2.0 MM SQ] THRU 18 GA [0.8 MM SQ] WIRE LEADS AT TERMINALS A, B, C, D, E, & F
 4. SIX TERMINALS, P/N 31784 SUPPLIED IN PLASTIC BAG, PLACED INSIDE HOUSING FOR SHIPMENT.

<p>Tolerances - Unless otherwise specifically noted, the following are default tolerances:</p> <ul style="list-style-type: none"> • 2-place Decimal Dimensions $\pm .02"$ • 3-place Decimal Dimensions $\pm .005"$ • Angular Dimensions ± 1.0 Deg. • Metric: Refer to equivalent English Dimension Tolerance • NOTE: All tolerances are Non-Cumulative. 		<p>PROPRIETARY INFORMATION - This Engineering Drawing, and the information contained herein, is proprietary to Cole Hersee Company and may not be disclosed, re-produced, or in any other way transferred or communicated to any other party without the express written consent of an authorized representative of Cole Hersee Company.</p>		<p>Key for Special Characteristics:</p> <ul style="list-style-type: none"> Ⓢ Critical Characteristics, relating to Safety and/or Regulatory Compliance Ⓧ Significant Characteristic relating to Process Control (SPC) Ⓢ Central Dimension relating to Form - Fit - Function as defined by Cole Hersee Company and/or the Customer <p>(Note that the identification of any Characteristics as being "Special" does not alter the requirement that ALL specified dimensions & tolerances must be met.)</p>		<p>Cole Hersee Co. 30 Old Colony Ave., South Boston, MA, 02127 Pn: 617-268-2100 Web: www.colehersee.com</p>	
<p>Dimensional Units - All dimensions are expressed in inches except those shown in brackets (xxx) are expressed in millimeters</p>		<p>DESIGN CONTROL - It is the responsibility of the individual using / referencing this drawing to assure that the noted design revision level agrees with the revision level of the Controlled Document (Master Drawing). This is a NON-CONTROLLED DOCUMENT unless otherwise specifically noted.</p>		<p>Description: 13 PIN PLUG</p>		<p>Current Rev. G</p>	
<p>"RFE" or an Asterisk (*) - Non-Tolerance Reference Dimension, shown for clarification purposes only.</p>		<p>DO NOT SCALE - Dimensional variation may occur during printing / reproduction.</p>		<p>Drawing / Part No.: 12301</p>		<p>Pg. 1 of 1</p>	
<p>Used On or Ref: EX24016J</p>	<p>Scale: 1:1</p>	<p>Drawn By: DPS</p>	<p>Date Drawn: 12/3/92</p>	<p>Responsible Engineer:</p>	<p>12301</p>		<p>G</p>

