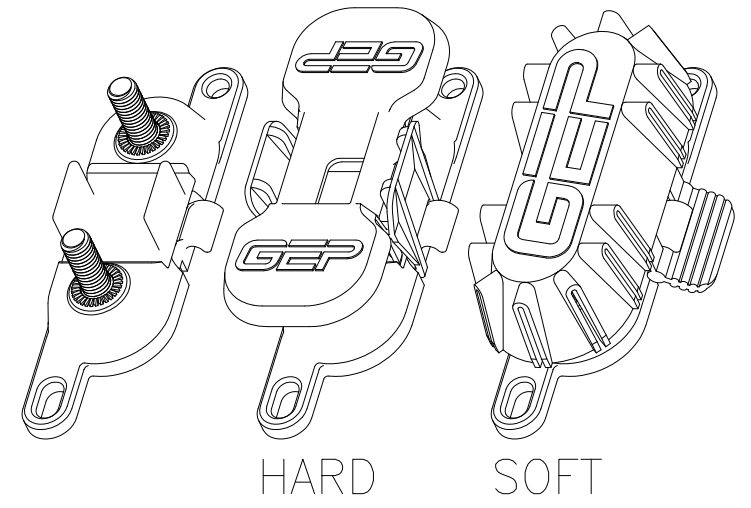
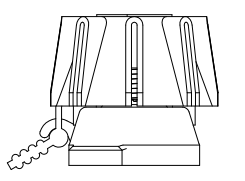
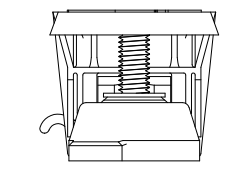
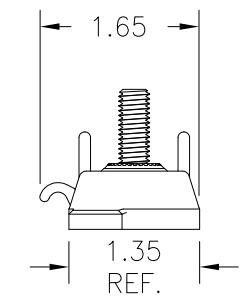
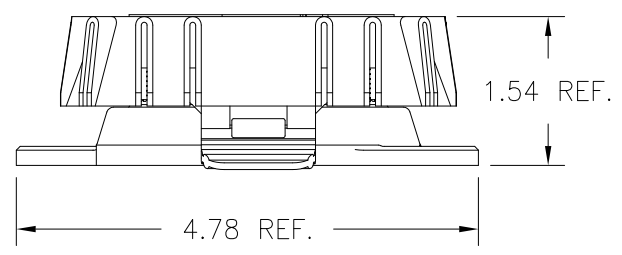
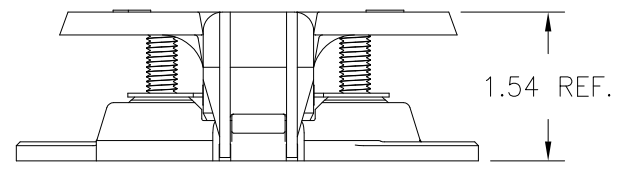
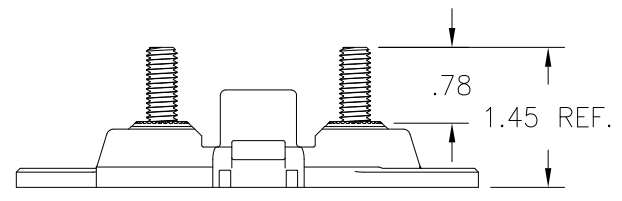
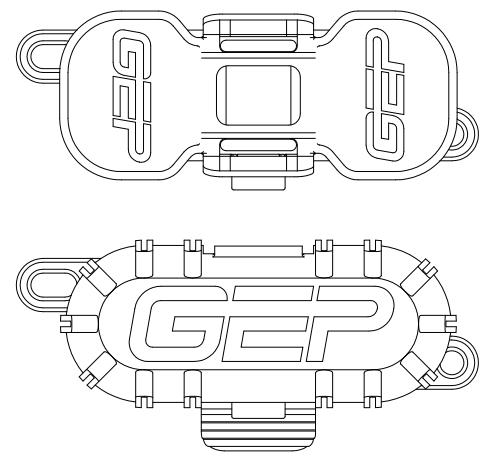
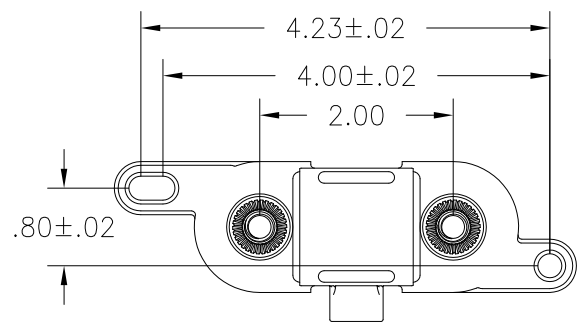


PART NO.		MFH-XXX-XX (SALES)		
TITLE		MEGA FUSE HOLDER		
CUSTOMER		STANDARD		
ENGLISH (IN)		SCALE 1:2		
REV #	REVISION	DATE	BY	APPROVE
0	INITIAL RELEASE ECN-08005	05-29 2008		
1	RELEASE NEW FORMAT UPDATE FOR PRODUCTION	06-04 2014	RR	KS
2	ADDED TOL. ±.02 CORRECT DIMENSIONING	12-17 2014	RR	KS

MFH-XXX-XX

- COVER COLOR (OMIT IF NONE)  
B-BLACK  
R-RED
- COVER STYLE (OMIT IF NONE)  
H-HARD  
S-SOFT
- HARDWARE  
0-NONE  
1-FLANGE NUTS INSTALLED  
2-FLANGE NUTS BULK  
3-SEMS NUTS INSTALLED  
4-SEMS NUTS BULK
- STUD MATERIAL  
1-STEEL ZINC PLATED  
2-STAINLESS STEEL
- STUD THREAD  
M-METRIC M8X1.25  
U- UTS 5/16-18



- NOTES:
- BLOCK MATERIAL: 30% GLASS FILLED NYLON
  - BLOCK FINISH: MATTE
  - BLOCK COLOR: BLACK
  - HARD COVER MATERIAL: UNFILLED NYLON
  - HARD COVER FINISH: MATTE
  - HARD COVER COLOR: BLACK OR RED
  - SOFT COVER MATERIAL: PVC
  - SOFT COVER FINISH: MATTE
  - SOFT COVER COLOR: BLACK OR RED
  - STUD THREAD: M8X1.25 OR 5/16-18
  - STUD MATERIAL: STEEL OR STAINLESS STEEL
  - STUD STRENGTH: CLASS 8
  - STUD PLATING: ZINC(STEEL) OR NONE(STAINLESS)
  - MAXIMUM MOUNTING TORQUE: 5 Nm MAX
  - MAXIMUM STUD TORQUE: 14 Nm MAX

TOLERANCES UNLESS OTHERWISE SPECIFIED	
METRIC TOL	ENGLISH TOL
1 PL DEC.=±.25	2 PL DEC.=±.01
2 PL DEC.=±.13	3 PL DEC.=±.005

THIRD ANGLE PROJECTION
ANGULAR TOL= ±2° FRACTION TOL= ± 1/64 IN

SPECIAL REQUIREMENTS:
△ CRITICAL DIMENSIONS OR FEATURES
○ FLAG NOTE CALLOUT