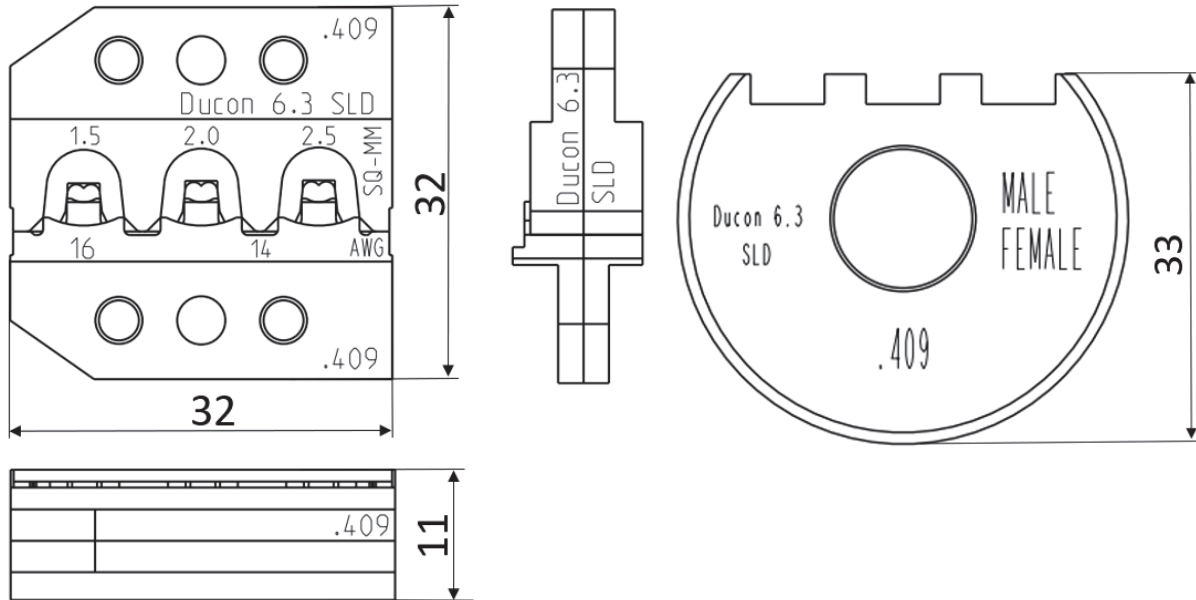


RENNSTEIG TOOLS, INC.

PRODUCT NAME

Rennsteig Crimping Die Set, Locator & Wire Stop for Ducon 6.3 SLD terminals



Measurements in Millimeter.

SPECIFICATION

| P/N | Description | Application | Terminal P/N | Capacity | Applicable for |
|-----------------|-------------|---------------|---------------------|------------------------------------|------------------------------|
| 624 409 3 0 RT | Die Set | Ducon 6.3 SLD | 12147473 / 15344632 | AWG 14 / 16 1.5 / 2.0 / 2.5 mm2 | Rennsteig Crimp System Tools |
| 624 409 0 01 RT | Locator | Ducon 6.3 SLD | 12147473 / 15344632 | AWG 14 / 16 1.5 / 2.0 / 2.5 mm2 | Rennsteig Crimp System Tools |

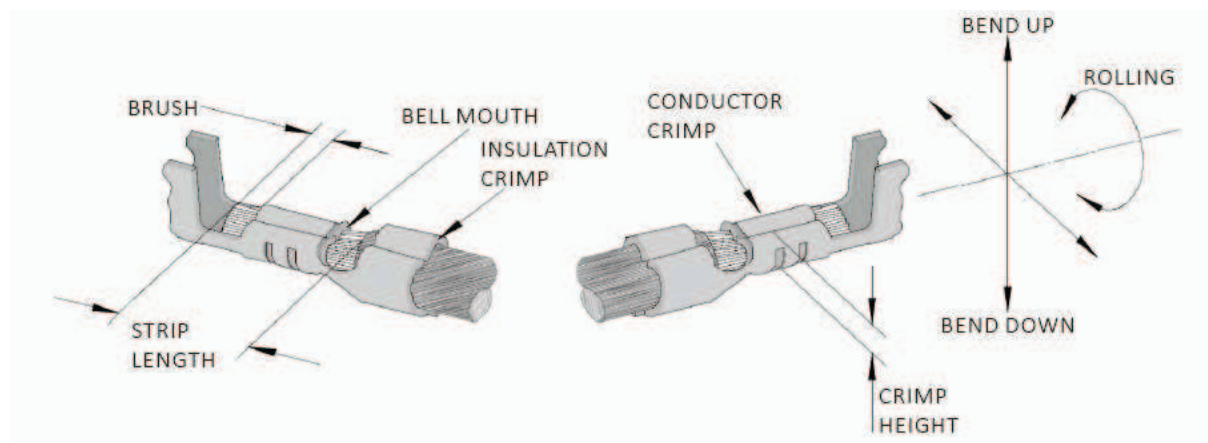
CRIMP SPECIFICATION

Core Crimp

| Terminal | Wire Size | Crimp height CCH (mm) | Crimp width CCW (mm) | Pull out force (N) DIN EN 60352-2 |
|----------|------------------------------|--------------------------|----------------------------|---|
| 12147473 | AWG 16 / 1.5 mm ² | 1.70 ± 0.05 | 2.85 ± 0.1 | 200 (nominal) |
| 12147473 | AWG 14 / 2.0 mm ² | 1.80 ± 0.05 | 2.85 ± 0.1 | 230 (nominal) |
| 12147473 | AWG 14 / 2.5 mm ² | 1.90 ± 0.05 | 2.90 ± 0.1 | 250 (nominal) |
| 15344632 | AWG 16 / 1.5 mm ² | 1.70 ± 0.05 | 2.85 ± 0.1 | 200 (nominal) |
| 15344632 | AWG 14 / 2.0 mm ² | 1.80 ± 0.05 | 2.85 ± 0.1 | 230 (nominal) |
| 15344632 | AWG 14 / 2.5 mm ² | 1.90 ± 0.05 | 2.90 ± 0.1 | 250 (nominal) |

Insulation Crimp

| Terminal | Wire Size | Insulation height ICH (mm) | Insulation width ICW (mm) |
|----------|------------------------------|-------------------------------|------------------------------|
| 12147473 | AWG 16 / 1.5 mm ² | 6.50 ± 0.1 | 6.55 ± 0.1 |
| 12147473 | AWG 14 / 2.0 mm ² | 6.60 ± 0.1 | 6.65 ± 0.1 |
| 12147473 | AWG 14 / 2.5 mm ² | 6.70 ± 0.1 | 6.70 ± 0.1 |
| 15344632 | AWG 16 / 1.5 mm ² | 6.50 ± 0.1 | 6.55 ± 0.1 |
| 15344632 | AWG 14 / 2.0 mm ² | 6.60 ± 0.1 | 6.65 ± 0.1 |
| 15344632 | AWG 14 / 2.5 mm ² | 6.70 ± 0.1 | 6.70 ± 0.1 |



The above terminal drawing is a generic terminal representation. It is not an image of a terminal listed in the scope.