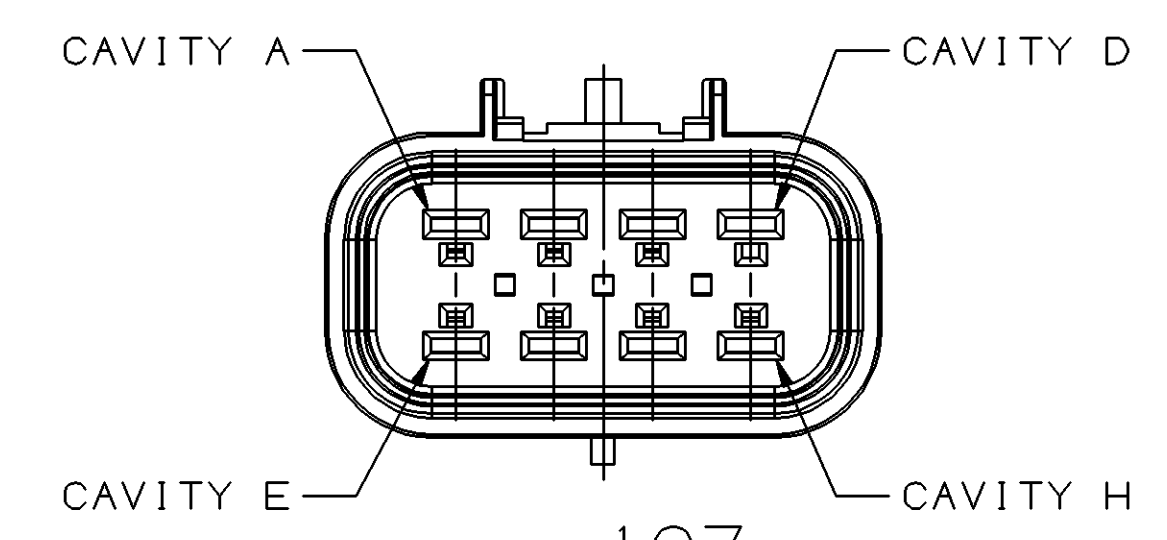
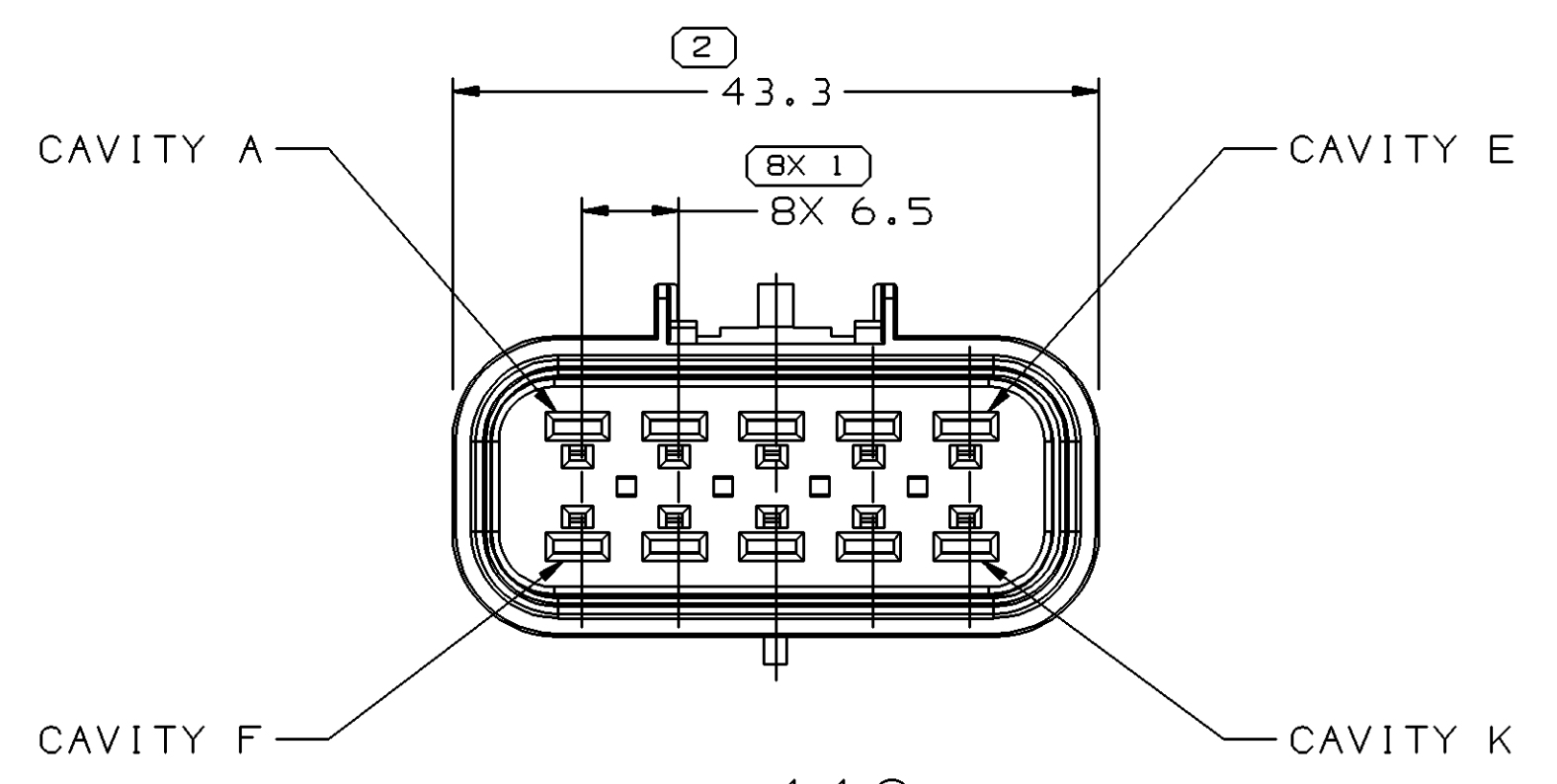


SYMBOL DEFINITION		MISSING SYMBOLS	
A DIMENSION WITHOUT AN INSPECTION REPORT SYMBOL DOES NOT REQUIRE INSPECTION. IT MAY BE CONTROLLED ON THE INDIVIDUAL COMPONENT DRAWING.	TOTAL NO OF INSPECTIONS REQUIRED	NO MISSING SYMBOL NUMBER	
	59		
	LAST NO. USED		
	13		

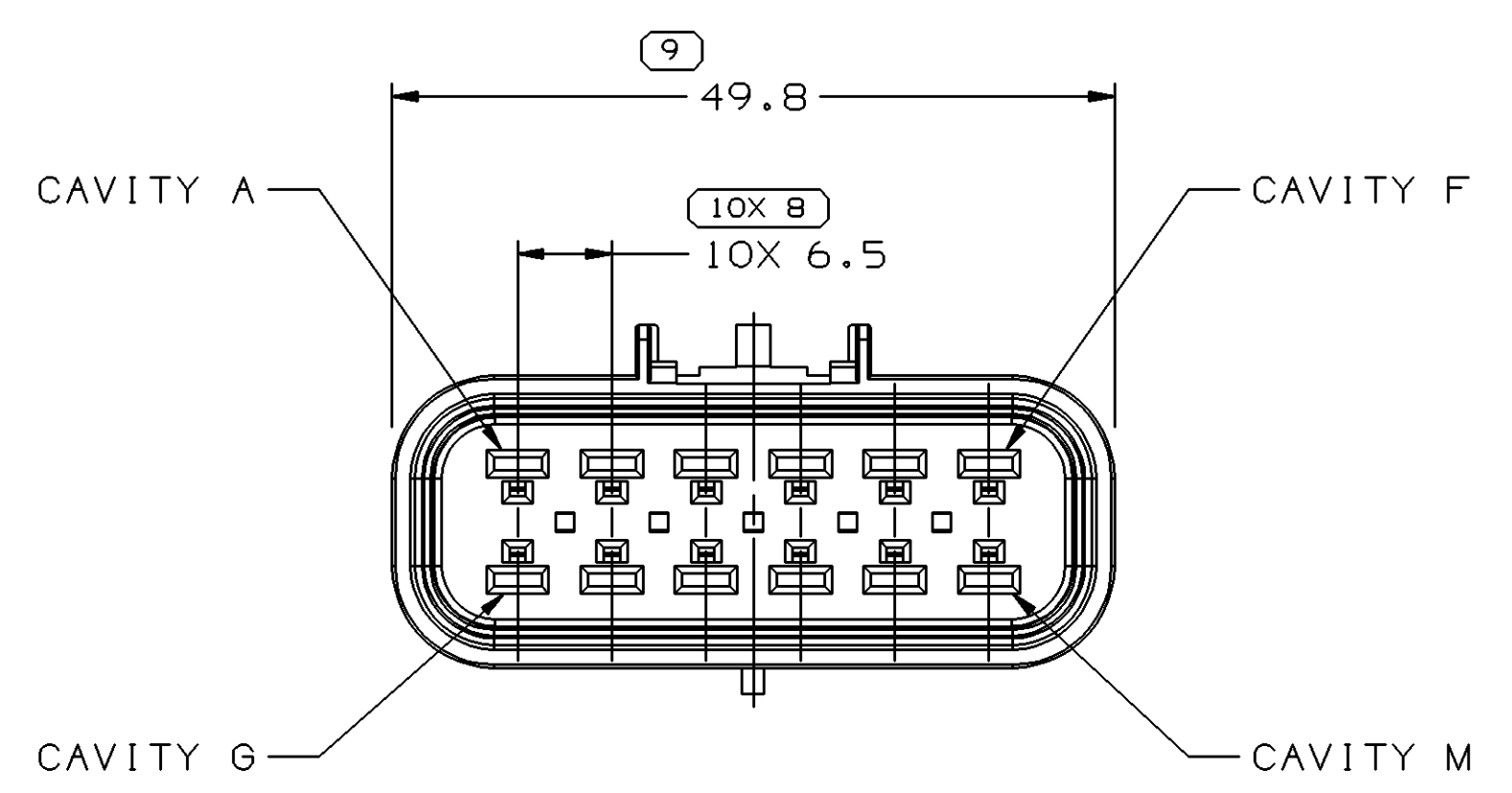
REVISION HISTORY						AUTH		DR		APVD			
DATE	STG	REV	N/P	CHG	ZONE								
11JUL01	R	01	-	-		ALL PARTS - ADDED NOTE 4				210804	EVV	GG1	SAN
26JUN03	R	02	-	-		ALL PARTS - ADDED NOTE #3 AND NOTE #4, REMOVED PLASTIC NOTE; 15326655 AND 15326661 - ADDED MATING TPA				243012	TLD	TLD	SAN
19OEO5	R	03	-	-		13544513 - RELEASED				275733	JBD	JAA	JGS



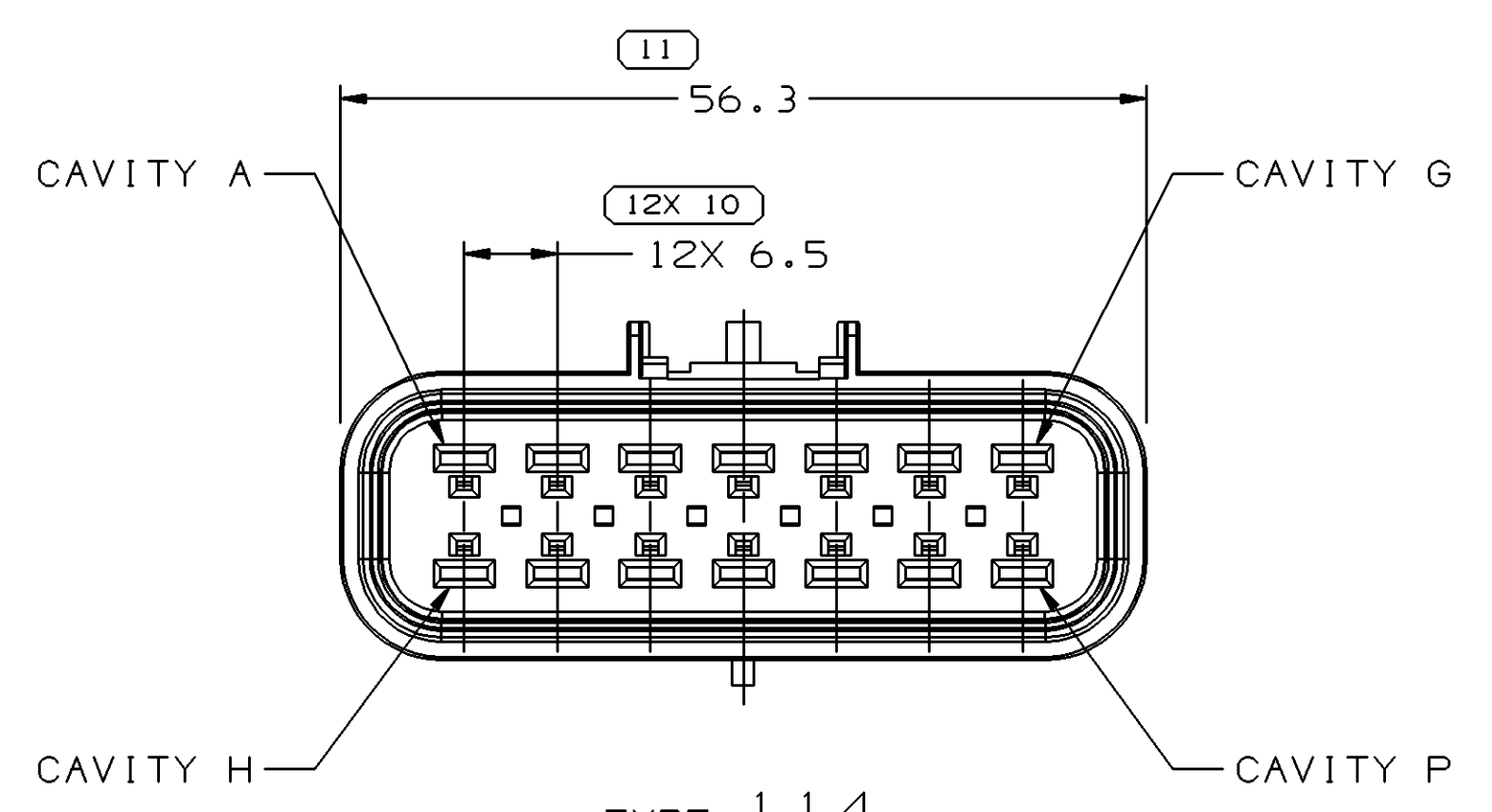
TYPE 107
SAME AS TYPE 108
EXCEPT FOR CAVITY D
IS BLOCKED



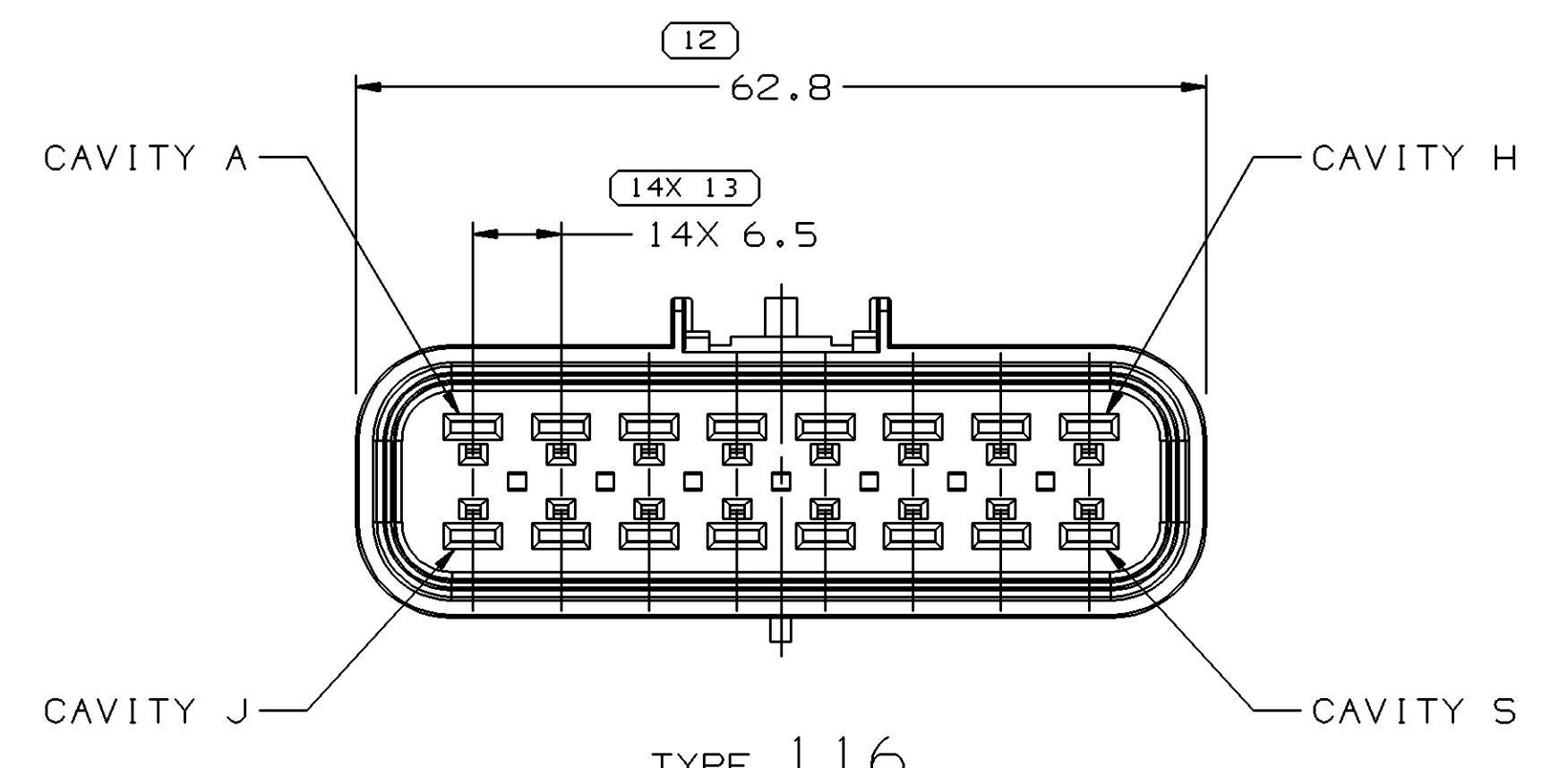
TYPE 110
SAME AS TYPE 108
EXCEPT AS SHOWN



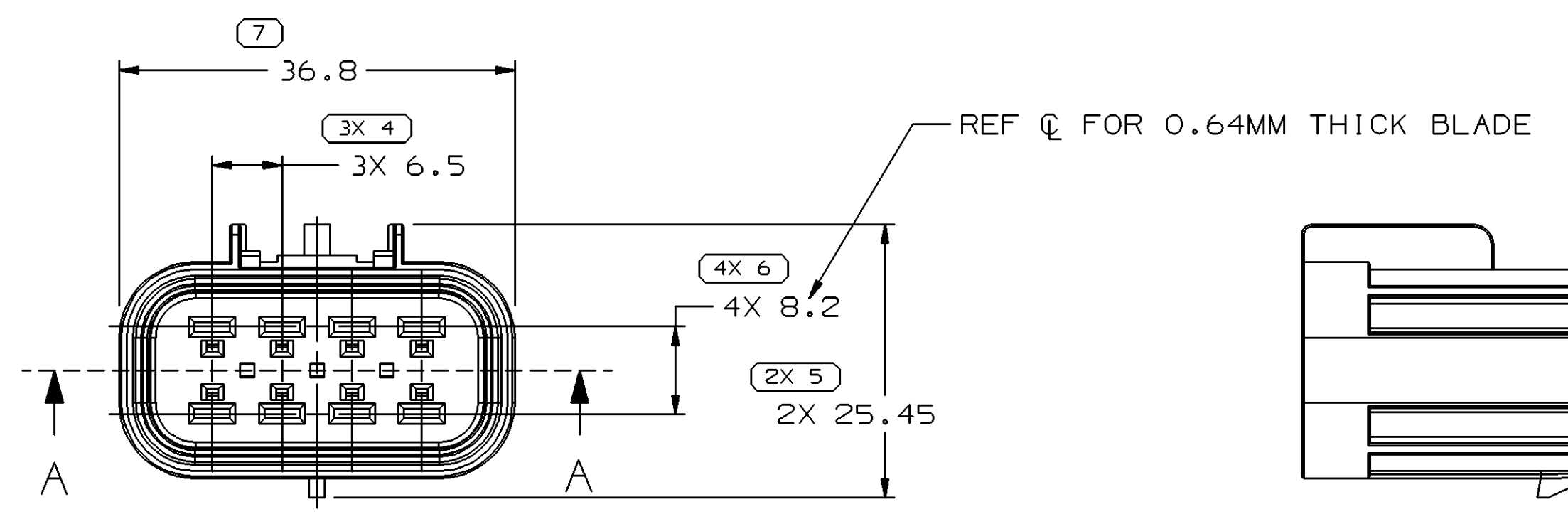
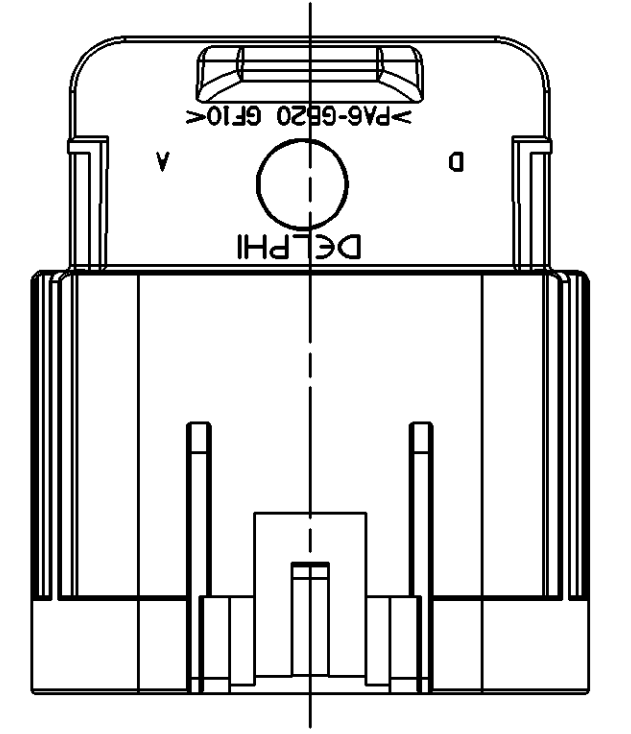
TYPE 112
SAME AS TYPE 108
EXCEPT AS SHOWN



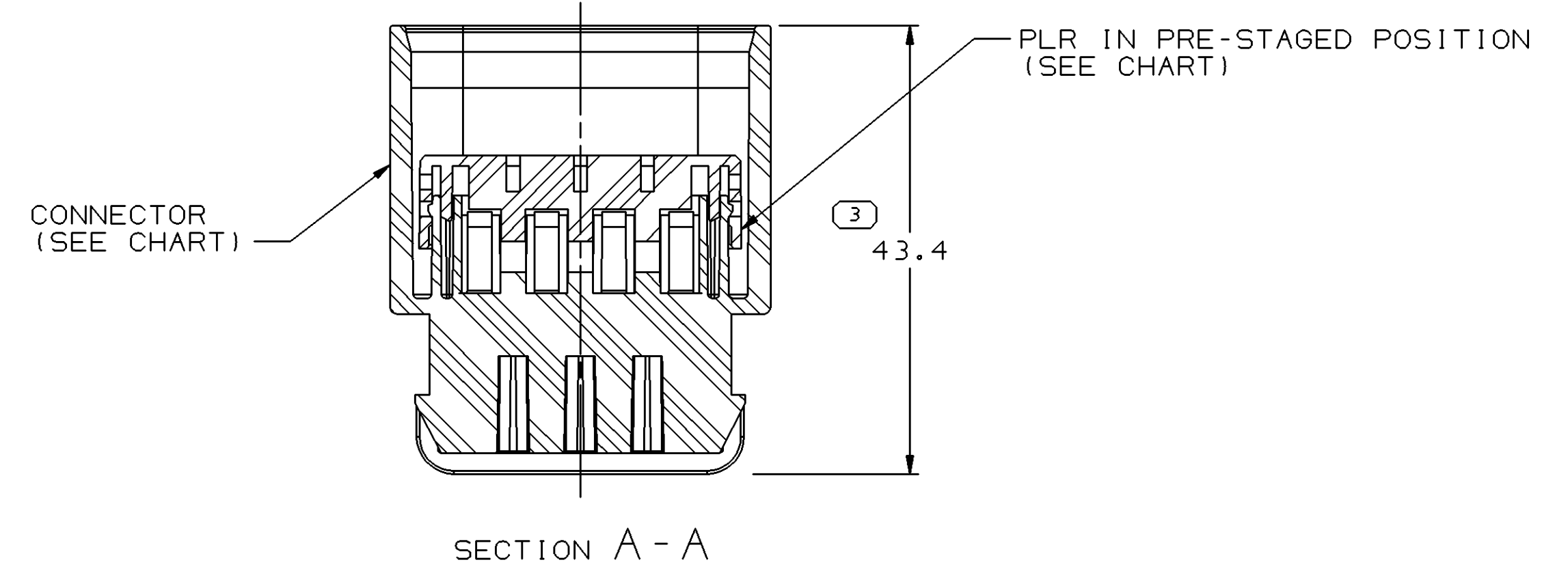
TYPE 114
SAME AS TYPE 108
EXCEPT AS SHOWN



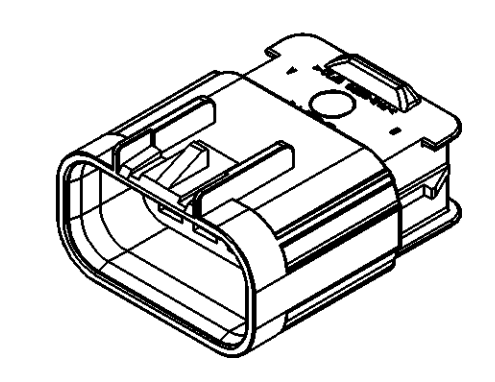
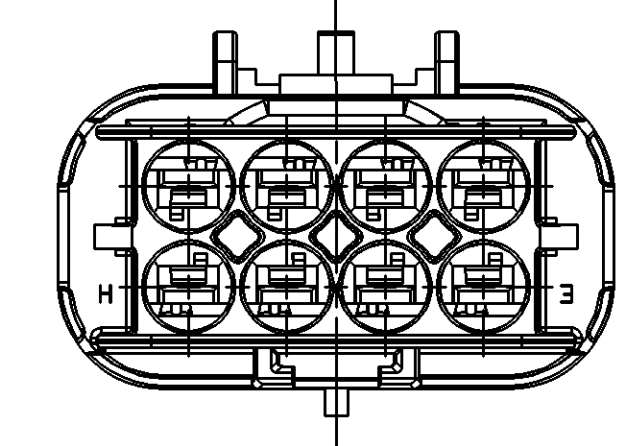
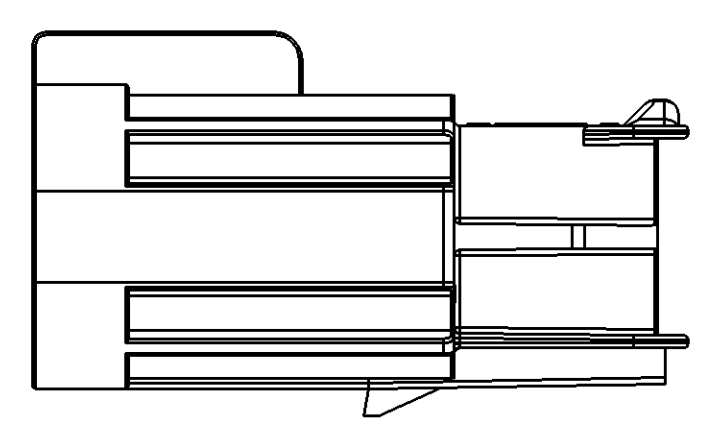
TYPE 116
SAME AS TYPE 108
EXCEPT AS SHOWN



TYPE 108



SECTION A - A



- NOTES
- UNLESS OTHERWISE SPECIFIED AND/OR INDICATED: DIMENSIONS ARE TO FACE OF VIEW SHOWN AND AUTOMATICALLY ROUNDED BY COMPUTER FOR INSPECTION (SEE MATH MODEL FOR PRECISE DIMENSIONS). FOR ALL OTHER DIMENSIONS NOT SHOWN BUT REQUIRED FOR TOOL BUILD, SEE MATH MODEL FOR PRECISE TOOL PATH DATA.
 - MATING COMPONENTS OR EQUIVALENT: ASSEMBLY CONNECTOR SEE CHART
 - THIS PART ACCEPTS THE FOLLOWING COMPONENTS OR EQUIVALENT: TERMINAL 15304730, CABLE SEAL 12191232, TERMINAL POSITION ASSURANCE LOCK SEE CHART, METAL CLIP SEE 08900009 TAXI, PLASTIC CLIP SELF-LOCK TYPE (REF 15358639)
 - SEALING CODE 4 - DESIGN WILL MEET REQUIREMENTS OF SAE/USCAR-2 CONNECTOR SYSTEM ENVIRONMENTAL TEST FLOWCHART (PRESSURE/VACUUM AND SUBMERSTION).

PART NO	REV	N/P	STATUS	TYPE	CONNECTOR	PLR	MATING CONN ASM	MATING TPA
13544513	01	-	-	107	13544512	15326652 / ID406319	15326654 / ID406322	15430896
15326922 / ID406342	A2	-	-	114	15326921 / ID406346	15326919 / ID406343	15326917 / ID406341	
15326915 / ID406336	A2	-	-	112	15326914 / ID406340	15326912 / ID406337	15326910 / ID406335	
15326667 / ID406347	A2	-	-	116	15326663 / ID406351	15326664 / ID406352	15326666 / ID406349	
15326661 / ID406329	A2	-	-	110	15326657 / ID406333	15326658 / ID406330	15326660 / ID406334	15430900
15326655 / ID406321	A2	-	-	108	15326651 / ID406318	15326652 / ID406319	15326654 / ID406322	15430896

DIMENSIONAL RANGE (MM)	TOLERANCE	CHART REF
FROM 0 TO >20	>0	1
>20 TO >30	>0.1	2
>30 TO >70	>0.2	3
>70 TO >100	>0.3	4
>100 TO >150	>0.4	5
>150 TO >200	>0.5	6
>200 TO >250	>0.6	7
>250 TO >300	>0.8	8
>300 TO >400	>1.0	9

PART DRAWING	
STYLE	D
VOLUME (CM ³)	
DISTR CODE	
UNLESS OTHERWISE SPECIFIED THIS DOCUMENT IS IN ACCORDANCE WITH ASME Y14.5M-1994 AS MODIFIED BY THE DIMENSIONAL DIMENSIONING AND TOLERANCING ADDENDUM-2001. SEPARATE PATTERNING OF FEATURES MAY BE OBTAINED SEPARATELY REGARDLESS OF DATUM REFERENCE.	
ALL DIMENSIONS ARE IN MILLIMETERS	
THIRD ANGLE PROJECTION	DO NOT SCALE
USE MATH DATA	

DELPHI
DELPHI PACKARD ELECTRIC SYSTEMS
WARREN, OH

DR	DATE
B. NAGY	07MR97
M. MCCALL	25JL97
M. MCCALL	25JL97
S. A. NORLING	03OC97

THIS DRAWING IS THE PROPERTY OF DELPHI. IT IS TO BE USED ONLY FOR THE PURPOSES AND IN THE MANNER SPECIFIED HEREIN. IT IS NOT TO BE REPRODUCED OR TRANSMITTED IN ANY FORM OR BY ANY MEANS, ELECTRONIC OR MECHANICAL, INCLUDING PHOTOCOPYING, RECORDING, OR BY ANY INFORMATION STORAGE AND RETRIEVAL SYSTEM, WITHOUT PERMISSION IN WRITING FROM DELPHI.

DRAWING NAME: TAXI ASM CONN M GT 280 SLD

DRAWING NUMBER: 15326673

SIZE: A0
SCALE: 2:1
FRAME NO: 1 OF 1
SHEET NO: 1 OF 1
REV: R 03