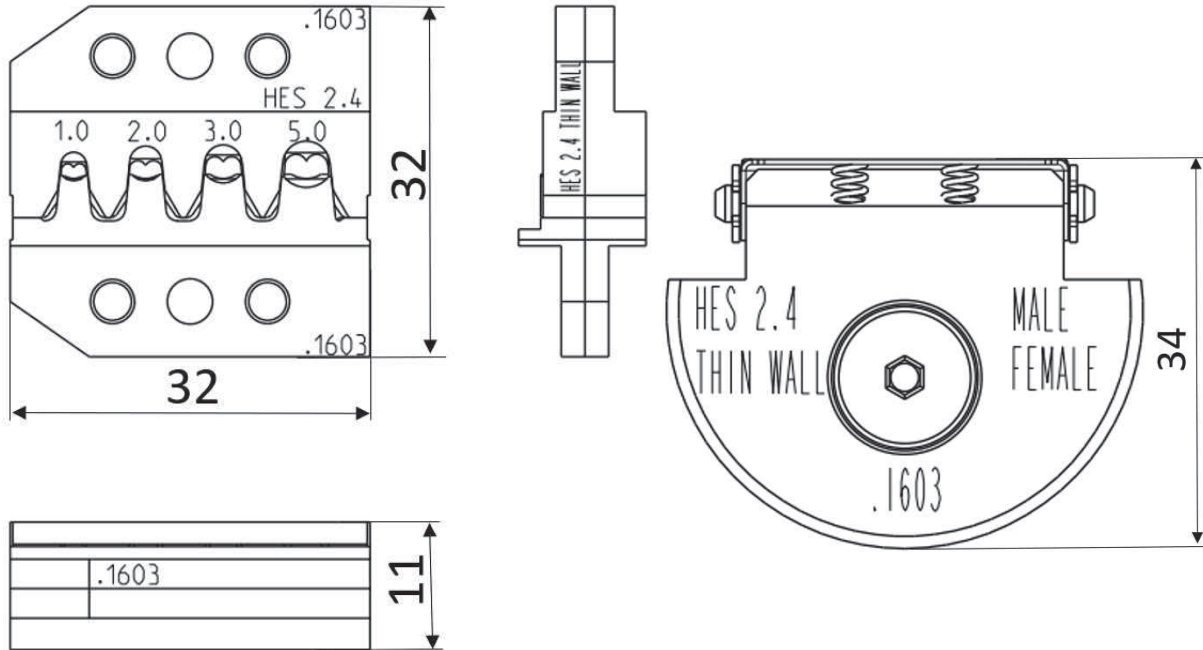


RENNSTEIG TOOLS, INC.

PRODUCT NAME

Rennsteig Crimping Die Set & Locator for HES 2.4 (Regular Wall) terminals



Measurements in Millimeter.

SPECIFICATION

P/N	Description	Application	Terminal P/N	Capacity	Applicable for
624 1604 3 0 RT	Die Set	HES 2.4 (Regular Wall)	13783288, 13783276, 13783290, 13783280, 13783300, 13783283, 13783301, 13783284	AWG 10 / 12 / 14 / 16 1.0 / 2.0 / 3.0 / 5.0 mm ²	Rennsteig Crimp System Tools
624 1604 0 01 RT	Locator	HES 2.4 (Regular Wall)	13783288, 13783276, 13783290, 13783280, 13783300, 13783283, 13783301, 13783284	AWG 10 / 12 / 14 / 16 1.0 / 2.0 / 3.0 / 5.0 mm ²	Rennsteig Crimp System Tools

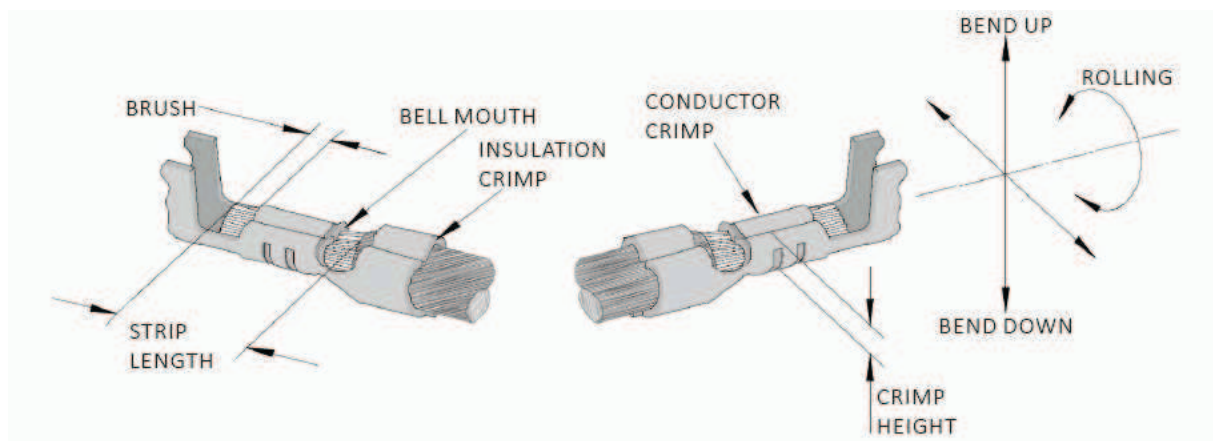
CRIMP SPECIFICATION

Core Crimp

Terminal	Wire Size	Crimp height CCH (mm)	Crimp width CCW (mm)	Pull out force (N) DIN EN 60352-2
13783288	AWG 16 / 1.0 mm ²	1.50 ± 0.05	2.40 ± 0.1	108 (nominal)
13783276	AWG 16 / 1.0 mm ²	1.50 ± 0.05	2.40 ± 0.1	108 (nominal)
13783290	AWG 14 / 2.0 mm ²	1.75 ± 0.05	3.10 ± 0.1	200(nominal)
13783280	AWG 14 / 2.0 mm ²	1.75 ± 0.05	3.10 ± 0.1	200 (nominal)
13783300	AWG 12 / 3.0 mm ²	2.10 ± 0.05	3.40 ± 0.1	275 (nominal)
13783283	AWG 12 / 3.0 mm ²	2.10 ± 0.05	3.40 ± 0.1	275 (nominal)
13783301	AWG 10 / 5.0 mm ²	2.40 ± 0.05	4.10 ± 0.1	355 (nominal)
13783284	AWG 10 / 5.0 mm ²	2.40 ± 0.05	4.10 ± 0.1	355 (nominal)

Insulation Crimp

Terminal	Wire Size	Insulation height ICH (mm)	Insulation width ICW (mm)
13783288	AWG 16 / 1.0 mm ²	3.20 ± 0.1	3.10 ± 0.1
13783276	AWG 16 / 1.0 mm ²	3.20 ± 0.1	3.10 ± 0.1
13783290	AWG 14 / 2.0 mm ²	3.50 ± 0.1	3.60 ± 0.1
13783280	AWG 14 / 2.0 mm ²	3.50 ± 0.1	3.60 ± 0.1
13783300	AWG 12 / 3.0 mm ²	4.10 ± 0.1	4.10 ± 0.1
13783283	AWG 12 / 3.0 mm ²	4.10 ± 0.1	4.10 ± 0.1
13783301	AWG 10 / 5.0 mm ²	4.80 ± 0.1	4.70 ± 0.1
13783284	AWG 10 / 5.0 mm ²	4.80 ± 0.1	4.70 ± 0.1



The above terminal drawing is a generic terminal representation. It is not an image of a terminal listed in the scope.