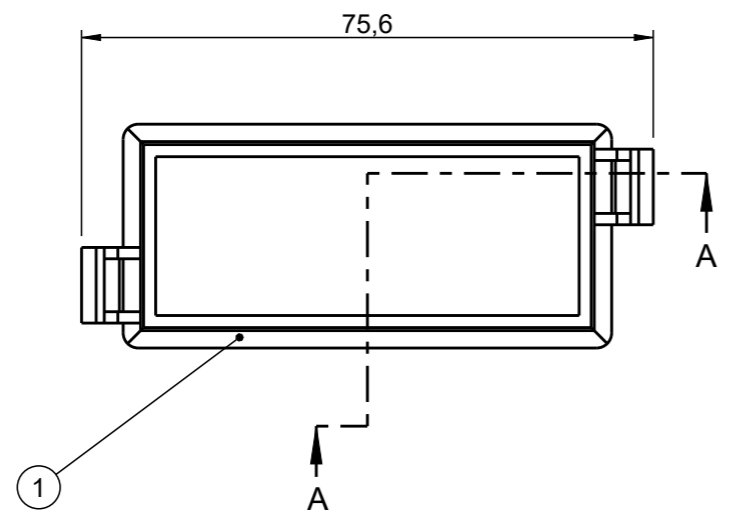
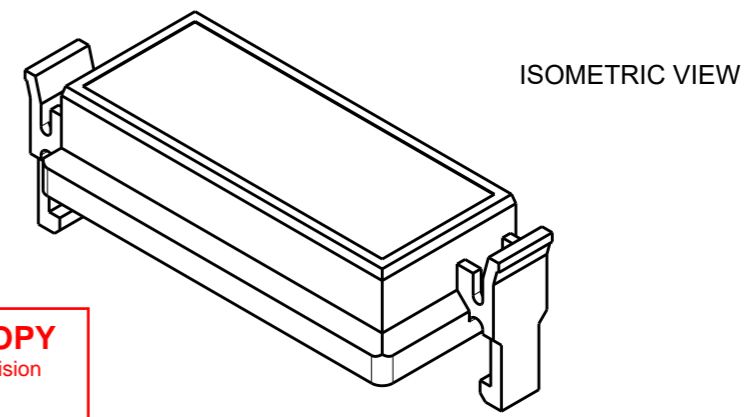
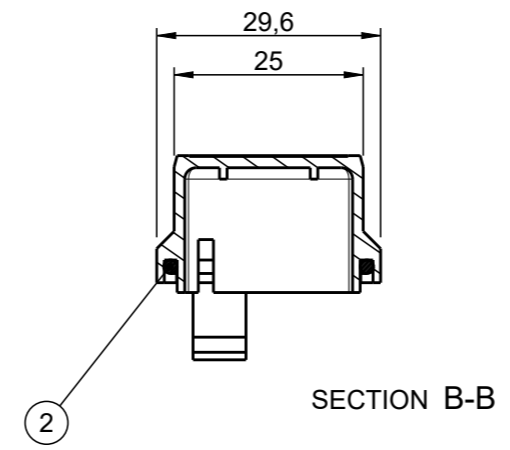
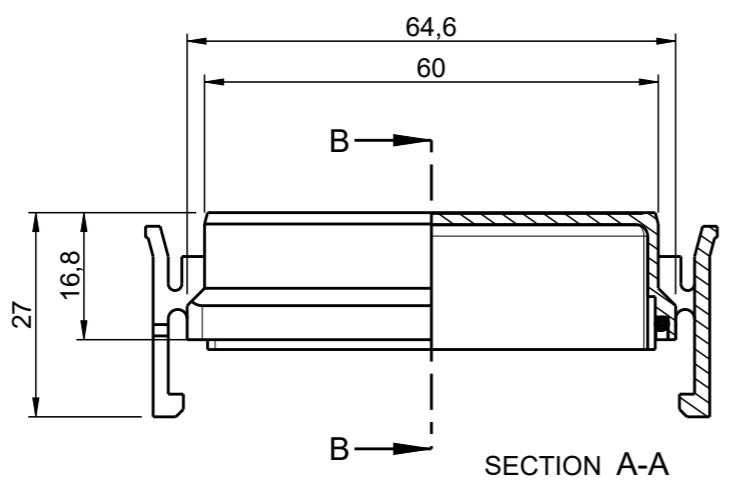


SPECIAL CHARACTERISTICS (IO 515)			
REPORT	⊕	CRITICAL	⊙
No.	SC	AREA	VALUE
01	-	-	-

REV.	REVISION HISTORY	NAME	DATE
0	FIRST ISSUE	J.LOCATELLI	18.07.18



**UNCONTROLLED COPY**  
 in case of drawing updating/revision  
 NO AUTOMATIC  
 resubmission will follow

2	1	GASKET	NBR 70 - BLACK COLOR
1	1	COVER	PA12 V2 - TRANSPARENT
POS.	Q.TY	DENOMINATION	MATERIAL

<b>MTA</b>		MTA P/N	0300602	Denom.	FUSE COVER BOX UNIVAL 6 WAY
		Draw No.	B0-111.M02A	Used for	-
	Date	Name	Draw for		CUSTOMER
Draft.	18.07.18	J.LOCATELLI	Scale	Weight(g)	Lin.Tol.±
Chk	-	-	1:1	~10	0.5
Verif.	18.07.18	F.ZIMMITTI	Ang.Tol.±	1	
PQApp	20.07.18	M.ROSSI	A3	Dimensions in (mm)	Sheet 1/1
App.	26.07.18	G.SPATARO	CAD Software PTC Creo		Note

REV. 0 All proprietary rights reserved by MTA S.p.A. - This drawing shall not be reproduced, or in any way utilized, for the manufacture of the component or unit herein illustrated and must not be released to other parties, without written consent. Any infringement will be legally pursued.