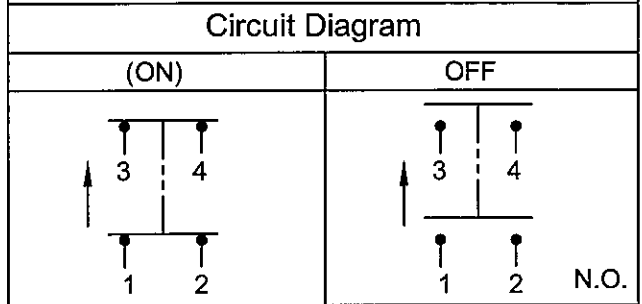
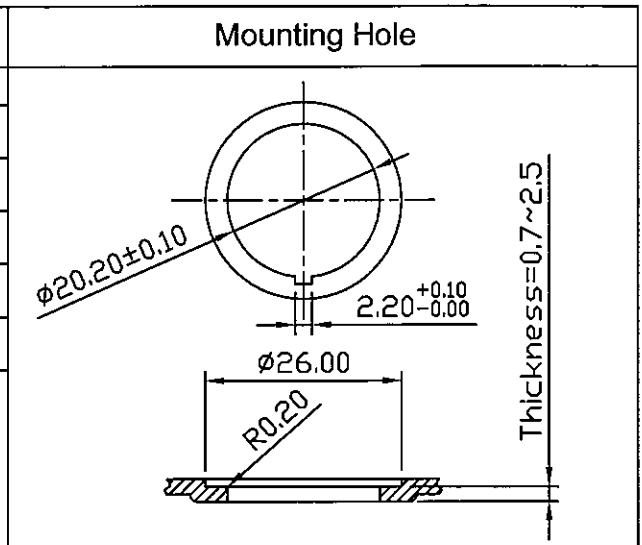
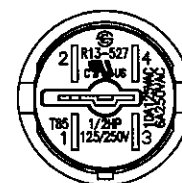
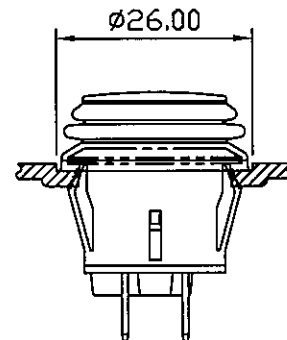
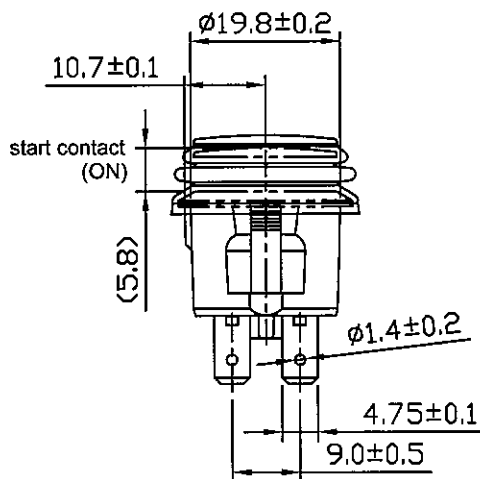
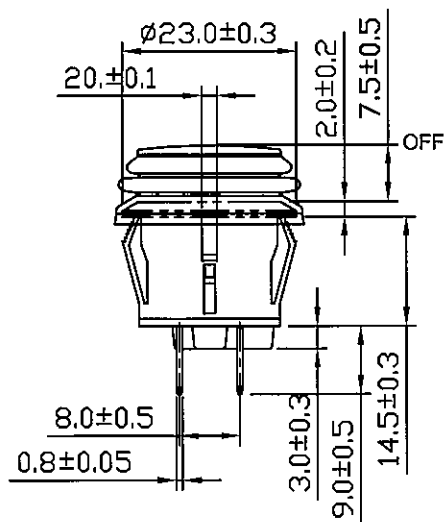
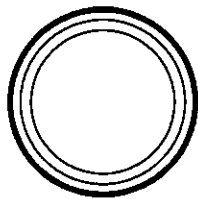


Rating	10A 125V, 6A 250V AC 1/2HP 125/250VAC
	20A 14VDC, 10A 28VDC
Contact Resistance	50m ohm Max.
Insulation Resistance	DC 500V 100M ohm Min.
Dielectric Strength	AC 1500V 1 minute
Operation Temperature	-25°C ~ 85°C
Switch Function	4P DPST (ON)-OFF



Full travel: 4.5mm

***MATERIAL:**
 Frame: Black, Nylon 66 (94-V2)
 Actuator: Black, PC (94-V2)
 Terminals: Silver plated, Copper alloy
 Waterproof Rubber: Black, Silicone
 Printed: None
 Waterproof: IP65



for EF001 only

C8\客戶圖面\EF001\R13-527A-02(44147)

				△
				△
Date	Name	Description		NO
Drawn	Checked	Approved	SCI BOM NO	Model Name PUSH SWITCH
曹盈芳			Customer No. 44147	Model No. R13-527A2-02
01/21/11			Unit mm	Rev. 0
Shin Chin Industrial Co., Ltd.				