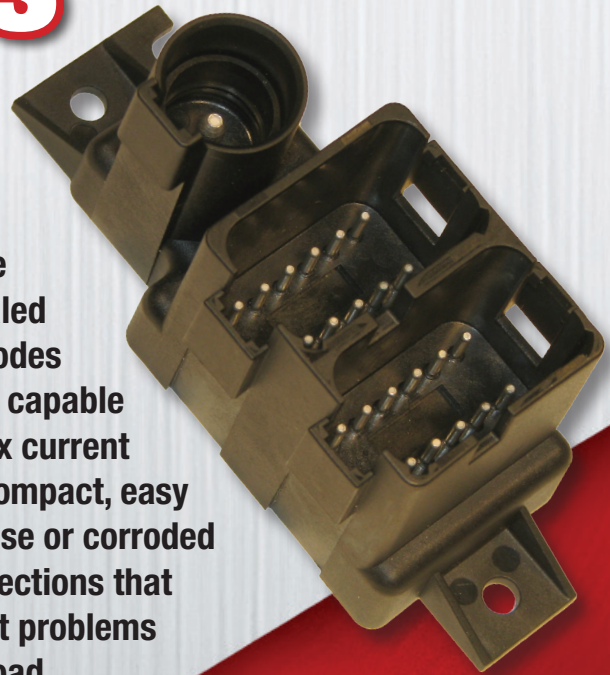


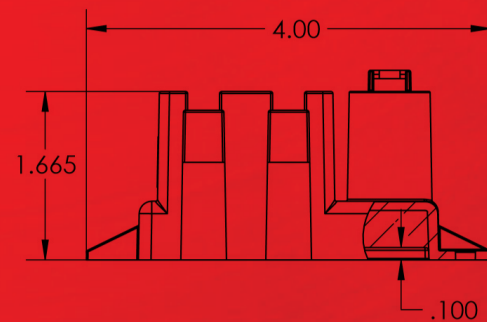
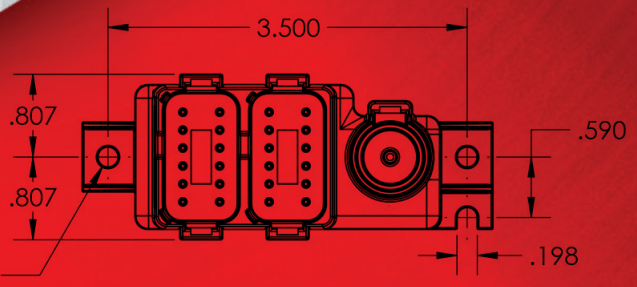
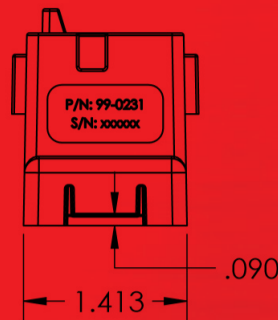
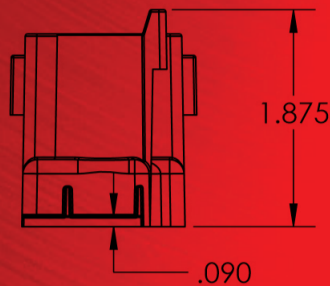
# SEALED Power Bus Splitter

Combine 24 power or ground circuits into one sealed high current connection. This fully sealed splitter reduces wiring labor and never corrodes like open screw bus bars. Each circuit is capable of up to 13A with a 60A or 100A max current for the splitter. This module is compact, easy to mount, and eliminates loose or corroded power or ground connections that create intermittent problems down the road.



## Features

- Fully sealed with integrated connectors
- Operating temperature range of -40°C to 125°C
- IP67 rating
- Small footprint
- Available in 60A (PN 99-0231) and 100A (PN 99-0780) versions



Mounting torque: 35 in-lbs max with M4 or #10 fastener, flat washer and lock washer

**TROMBETTA** 

DC Power Solutions for a Harsh World

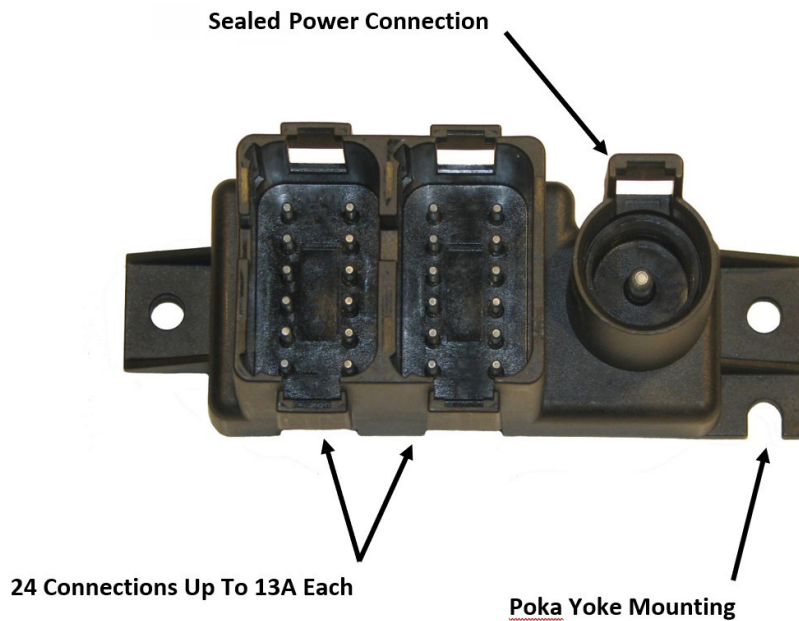
414-410-0300 • [trombetta.com](http://trombetta.com)

## Test Parameters

|  |  |
|--|--|
| Thermal Cycle Test                                     | SAE J1455 Section 4.1.3 8-Hour Cycle             |
| Thermal Shock Test                                     | ISO16750-4 Section 5.3.2                         |
| Drop Test/ Handling Shock                              | IEC 60068-2-31 Section 5.1.5.2                   |
| Humidity & Temperature Cycling (Thermal Cycling Aging) | SAE J1455 Section 4.2.3, Figure 4A, 8-Hour Cycle |
| Fluid Compatibility                                    | SAE J1455 Section 4.4                            |
| Thermal Shock Immersion                                | ISO16750-4 Section 5.4.3                         |
| Ingress Protection (IP)                                | IEC 60519, IP67                                  |
| Vibration-Random                                       | Trombetta profile 5-2000Hz                       |

## Mechanical Parameters

|                                |   |
|--------------------------------|---|
| Storage Temperature            | -40°C to 125°C  |
| Operating Temperature          | -40°C to 125°C  |
| Mechanical Shock - Operational | 50g   |
| Ingress Protection             | IP67  |
| Mating Connectors              | Deutsch DT06-12SA, DTHD06-1-8S (60A),<br>DTHD06-1-4S (100A) |



This product is RoHS 3, REACH and Conflict Free Compliant.

