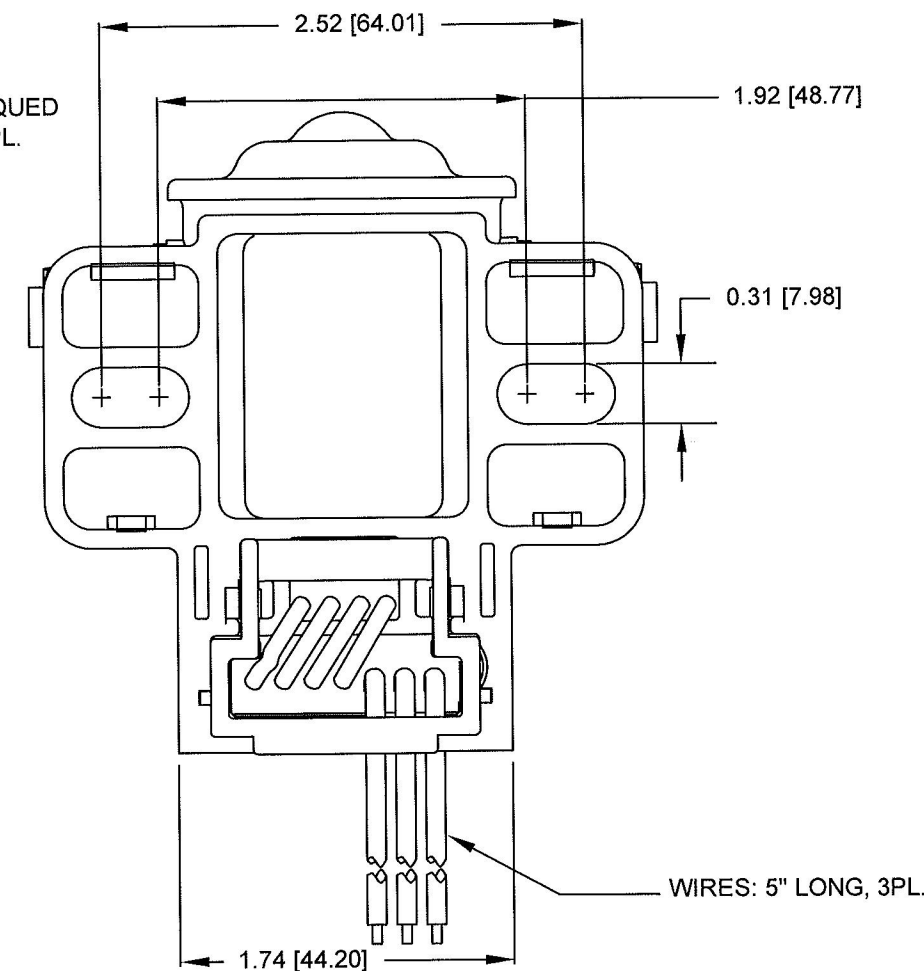
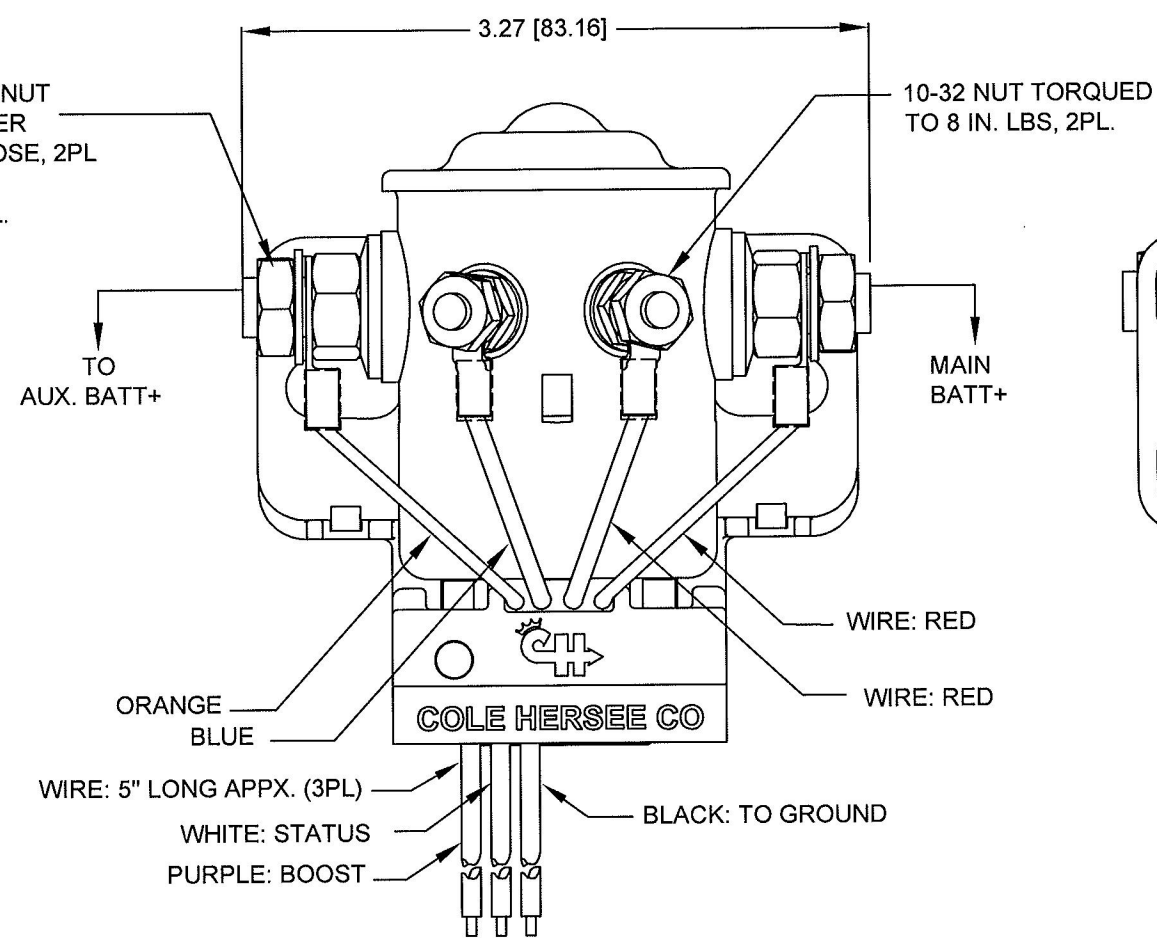
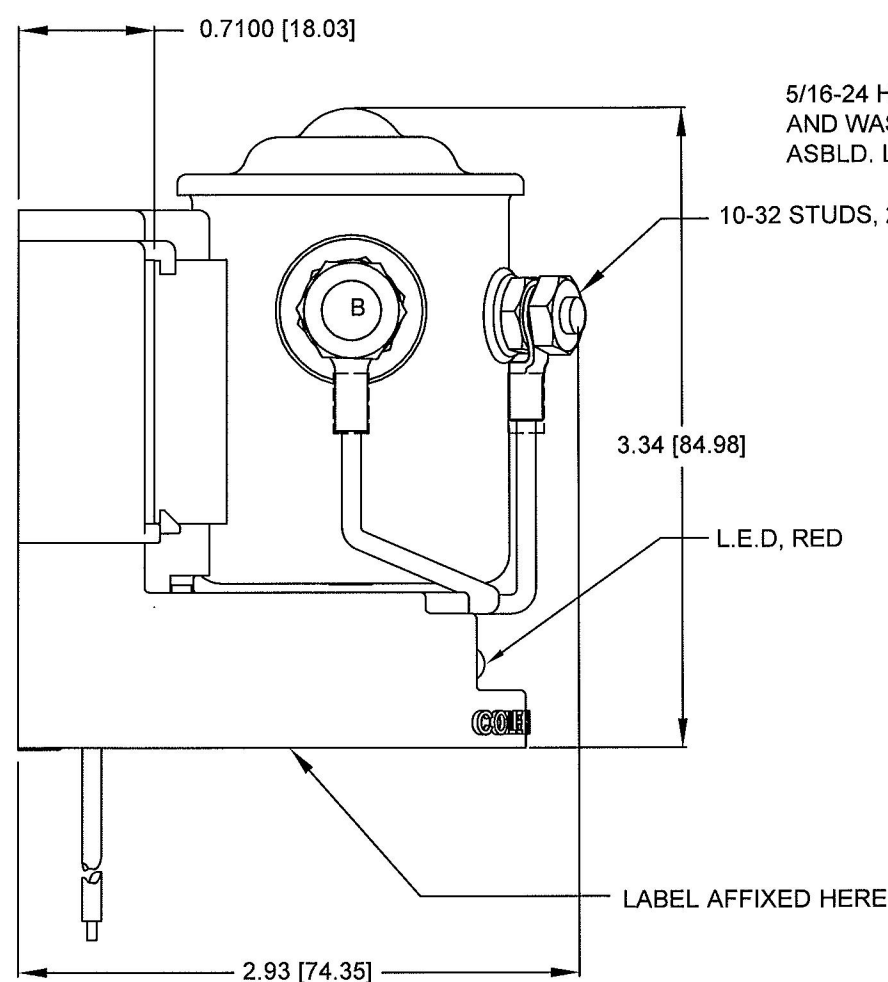


**Revision Control Record**

Rev.	Description of Change	ECN No.	Date
A	NEW PRODUCT	07437	11/09/07
B	ADD BOX TO BOM	08024	01/10/08
C	BOM CHANGE	11415	12/6/11



**SPECIFICATIONS.**  
 ENVIRONMENTAL: SAE J1455 AND J1113  
 -40 TO +85°C;  
 MOISTURE PROTECTION: IP67 (ELECTRONIC MODULE ONLY)  
 ELECTRICAL:  
 9-16 VDC  
 LOAD: 200A CONTINUOUS  
 INRUSH: 750A  
 8 mA QUIESCENT CURRENT  
 ACCURACY: +/- 100 mV  
 POWER STUDS: 5/16-24  
 WIRE CONNECTIONS: 18AWG, SXL, 5" LONG  
 a. VIOLET: BOOST  
 b. BLACK: GROUND  
 c. STATUS

**NOTES.**

- 1) SOLENOID MONITORING AND CONTROLLING DEVICE
- 2) ALL STEEL PARTS ARE PLATED.
- 3) ALL DIMENSIONS ARE FOR REFERENCE ONLY
- 4) NO ADDITIONAL CONNECTIONS OF ANY KIND TO THE 10-32 (COIL) STUDS OF THE SOLENOID BY THE END USER, ARE ALLOWED. DOING SO COULD DAMAGE THE ELECTRONIC CONTROL MODULE.

**OPERATION.**

- 1) THE TWO BATTERIES ARE ELECTRICALLY CONNECTED WHEN EITHER BATTERY VOLTAGE IS ABOVE 13.2V FOR 2 MIN. (i.e DURING CHARGING)
- 2) THE TWO BATTERIES ARE ISOLATED WHEN BOTH BATTERY VOLTAGES ARE BELOW 12.7V FOR 1 MINUTE.
- 3) THE BOOST FUNCTION CONNECTS THE TWO BATTERIES TO PROVIDE ADDITIONAL STARTING POWER.
- 4) TO ENABLE THE BOOST FUNCTION, CONNECT THE VIOLET WIRE TO +12VDC.
- 5) THE L.E.D STATUS INDICATOR IS TURNED ON WHEN THE TWO BATTERIES ARE CONNECTED.

**Tolerances** Unless otherwise specifically noted, the following are default tolerances;  
 \* 2-place Decimal Dimensions +/- .02"  
 \* 3-place Decimal Dimensions +/- .005"  
 \* Angular Dimensions +/- 1.0 Deg.  
 \* Metric: Refer to equivalent English Dimension Tolerance  
 >>> NOTE: All tolerances are Non-Cumulative. <<<  
**Dimensional Units** All dimensions are expressed in inches except those shown in brackets (xxx) are expressed in millimeters  
 "REF." or an Asterisk (\*) = Non-Toleranced Reference Dimension, shown for clarification purposes only.  
 Used On or Ref.: **EX-28421** Scale: **1:1**

**PROPRIETARY INFORMATION** This Engineering Drawing, and the information contained herein, is proprietary to Cole Hersee Company and may not be disclosed, re-produced, or in any other way transferred or communicated to any other party without the express written consent of an authorized representative of Cole Hersee Company.  
**DESIGN CONTROL** It is the responsibility of the individual using / referencing this drawing to assure that the noted design revision level agrees with the revision level of the Controlled Document (Master Drawing). This is a NON-CONTROLLED DOCUMENT unless otherwise specifically noted.  
 DO NOT SCALE - Dimensional variation may occur during printing / reproduction.  
 Drawn By: **G.Auguste** Date Drawn: **10/12/07**

**Special Characteristics:**  
 Critical Characteristic, relating to Safety and/or Regulatory Compliance  
 Significant Characteristic relating to Process Control (SPC)  
 Control Dimension relating to Form - Fit - Function as defined by Cole Hersee Company and/or the Customer  
 (Note that the identification of any Characteristics as being "Special" does not alter the requirement that ALL specified dimensions & tolerances must be met.)  
 Responsible Engineer: **B. Pevear** Pg. 1 of 1

**Cole Hersee Co.**  
 20 Old Colony Ave., South Boston, MA, 02127  
 Phn: 617-268-2100 Web: www.colehersee.com  
**SOLENOID MODULE**  
**48530**  
 Current Rev. **C**