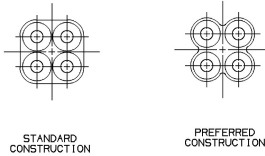


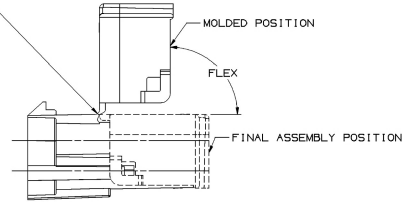
SYMBOL DEFINITION		MISSING SYMBOLS	
A DIMENSION WITHOUT AN INSPECTION REPORT SYMBOL DOES NOT REQUIRE INSPECTION. IT MAY BE CONTROLLED ON THE INDIVIDUAL COMPONENT DRAWING.	25	NO MISSING SYMBOL NUMBER	
LAST NO. USED	14		

DWG STATUS				REVISION HISTORY			
DATE	STB	REV	BY	CHK	ZONE	DESCRIPTION	AUT
03DEC99	R	01	-	-	-	CLEARED REV COLUMN AND ALL PARTS - TAXI PD CREATED.	2273
14JUL08	R	02	-	-	-	12015024 - UPDATED MAT'L CALLOUT.	4053
08AUG09	R	03	-	-	-	ALL ACTIVE PARTS - DIM 23.1 $\pm 0.15/-0.3$ WAS 23.1 $\pm 0.15$ DIM 20.3 $\pm 0.15/-0.3$ WAS 20.3 $\pm 0.15$ AND DIM 16.5 $\pm 0.15/-0.5$ WAS 16.5 $\pm 0.15$	4086
22JAN11	R	04	-	-	-	12015024 - ADDED NONE APPEARANCE ITEM NOTE	4146

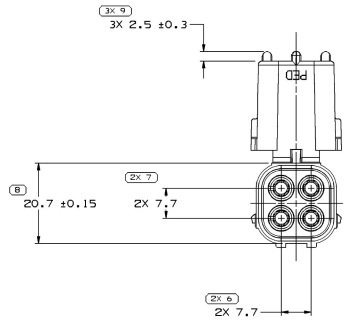
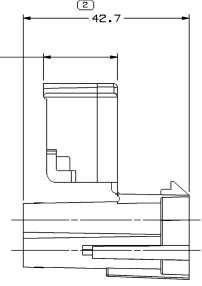
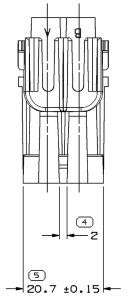
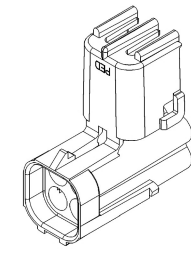


CABLE END VIEW OF CONNECTOR BODY

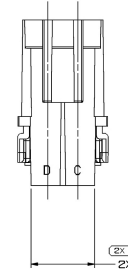
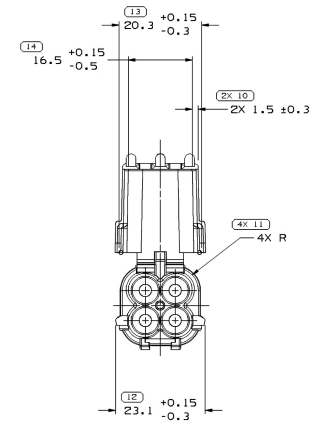
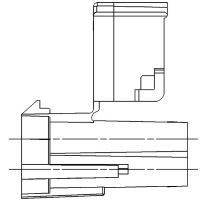
FLEX AREA MAY EXHIBIT MATERIAL SEPARATION AFTER FINAL ASSEMBLY



SECONDARY TERMINAL LOCK ASSEMBLY REQUIREMENT



INDEX CODE -4104- (ALSO SEE HANDBOOK)



NOTES

- UNLESS OTHERWISE SPECIFIED AND/OR INDICATED: DIMENSIONS ARE TO FACE OF VIEW SHOWN AND AUTOMATICALLY ROUNDED BY COMPUTER FOR INSPECTION. (SEE MATH MODEL FOR PRECISE DIMENSIONS.) FOR ALL OTHER DIMENSIONS NOT SHOWN BUT REQUIRED FOR TOOL BUILD, SEE MATH MODEL FOR PRECISE TOOL PATH DATA.
- SEALING CODE 3.
- THIS PART IS NOT CONTROLLED FOR AUTOMATIC FEEDING.
- CAUTION: DO NOT ATTEMPT TO COPY THIS DRAWING WHEN DESIGNING A MATING PART TO A WEATHER PACK CONNECTOR. PLEASE REQUEST THE LATEST COPY OF DRAWING NUMBER 12020084 FROM THE PACKARD ELECTRIC DIVISION.
- MATERIAL RECYCLING CODE PER ISO 11469. (2,3)X(0,1) CHARACTERS AS SHOWN TO BE LOCATED ON ANY EXTERIOR SURFACE. OPTIONAL CONSTRUCTION TO BE NO MATERIAL RECYCLING CODE.
- (2,3)X(0,1) DELPHI CORPORATE BRAND TO BE LOCATED ON ANY EXTERIOR SURFACE, PREFERABLY VISIBLE AT FINAL ASSEMBLY. OPTIONAL CONSTRUCTION FOR EXISTING TOOLING MAY BE "PED" OR NO LOGO.
- FOR APPLICATION DATA SEE THE INDIVIDUAL APPLICATION DRAWINGS.
- THIS PRODUCT IS NOT CATEGORIZED AS AN APPEARANCE ITEM. MINOR IMPERFECTIONS INCLUDING, BUT NOT LIMITED TO, FLOW MARKS, COLOR BLEMISHES, GATE VESTIGES, AND SOFT FLASH THAT DO NOT AFFECT THE FIT, FORM, OR FUNCTION OF THE PART ARE PERMISSIBLE PER DPNP-4.7-CS-01.

PART NO	REV	STATUS	MATERIAL SPECIFICATION AND COLOR	APPLICATION	VOLUME (CM <sup>3</sup> )
12160904	A	OBSELETE	POLYAMIDE COMPOUND GRAY MD	IN LINE	B-332
12015024	E6	-	POLYAMIDE COMPOUND BLACK	IN LINE	B-332

DIMENSIONAL RANGE (MM)	TOLERANCE
FROM 0 TO >20	±0.30
20 TO >30	±0.30
30 TO >40	±0.30
40 TO >50	±0.30
50 TO >60	±0.30
60 TO >70	±0.30
70 TO >80	±0.30
80 TO >90	±0.30
90 TO >100	±0.30
100 TO >125	±0.30
125 TO >150	±0.30
150 TO >200	±0.30
200 TO >250	±0.30
250 TO >300	±0.30
300 TO >400	±0.30
400 TO >500	±0.30
500 TO >600	±0.30
600 TO >700	±0.30
700 TO >800	±0.30
800 TO >900	±0.30
900 TO >1000	±0.30

2 PROCESS SENSITIVE DIMENSIONS DIMENSIONS ENCLOSED IN ( ) INDICATE REFERENCE DIMENSIONS AND NO TOLERANCE UNLESS OTHERWISE SPECIFIED

THIRD ANGLE PROJECTION

DO NOT SCALE

USE MATH DATA

ALL DIMENSIONS ARE IN MILLIMETERS

DRAWING NUMBER: TAXI CONN M W/P SHD

**DELPHI**  
DELPHI PACKARD ELECTRICAL/ELECTRONIC DIVISION, OR

DR: L. MACIAS  
APR01: J. VILLAMIL  
APR03: J. VILLAMIL  
APR04:  
APR05:

UNLESS OTHERWISE SPECIFIED THIS DOCUMENT IS IN ACCORDANCE WITH THE ISO 9000:1994 STANDARD FOR QUALITY MANAGEMENT SYSTEMS. DIMENSIONS AND TOLERANCES UNLESS OTHERWISE SPECIFIED ARE PER ASME Y14.5-2001.

ALL DIMENSIONS ARE IN MILLIMETERS

DRAWING NUMBER: TAXI CONN M W/P SHD

1216090

SIZE AD 2:1 OF 1 OF 1