



Model Number: **M09300Y-X**

3/4" Round P2PC CM Amber - Bulk
Pack 50 Units

Function

FMVSS 108 Standard.....
DOT/SAE Spec.....
Functions.....
Functions Comments.....

Legal Heading.....
Origin Product..... **Taiwan**
Dimensions.....

Specification

No.Leds.....
Led Type.....
Led Color.....
Color Temp.....
Beam Pattern.....

Voltage (DC).....
Amperage Draw.....
Polarity Sensitive.....

Lumens.....

Lens Material.....
Maxxshield Coat.....
Body Material.....

Operating Temp..... **-40 C to + 50 C**
Ingress Protection (IP).....

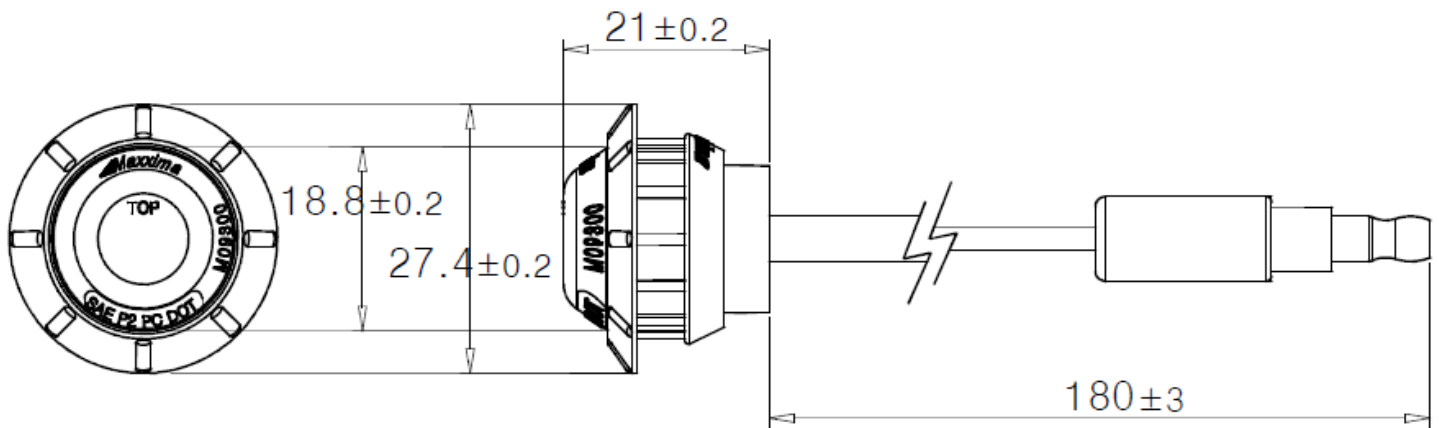
Termination.....
Connector Supplied.....
Gasket.....
Mounting Screws.....

Wire Gauge.....
Wire Color.....
Individual Pack.....
Master Pack..... **400**
Shipping Weight..... **0.040**
Warning Label.....

Warranty.....

Accessories..... **M50133**

In an effort to continuously improve product performance and reliability, the specifications and product are subject to change without prior notice.
Maxxima is a registered trademark of the PANOR CORPORATION



In an effort to continuously improve product performance and reliability, the specifications and product are subject to change without prior notice.
Maxxima is a registered trademark of the PANOR CORPORATION