

Indicator MINI Smart Glow fuse

Rated 32 V DC

RoHS



Description

Each fast-acting MINI® Smart Glow blade fuse features an LED indicator light that comes on when the fuse blows. Like other MINI fuses, it boasts a miniature design that allows automakers to pack more circuit protection into less space. Despite their light weight, MINI fuses perform reliably in adverse environments and at extreme temperatures.

Features & Benefits

- Color coding indicates ampere rating
- High-contrast ampere rating stamps aid identification
- See-through housings make it easier to see when fuses blow

Applications

Use to protect circuits in Cars and SUVs, Trucks, Buses, Offroad vehicles and Watercraft as approved by Littelfuse.

Ratings

Color Code	Current Rating (A)	Carded	
		Material #	Catalog #
Gray	2	---	---
Violet	3	OMIN003.VPGLO	10-0003
Pink	4	---	---
Tan	5	OMIN005.VPGLO	10-1000
Brown	7.5A	OMIN07.5VPGLO	10-0007
Red	10A	OMIN010.VPGLO	10-1001
Blue	15A	OMIN015.VPGLO	10-1002
Yellow	20A	OMIN020.VPGLO	10-1003
Clear	25A	OMIN025.VPGLO	10-1004
Green	30A	OMIN030.VPGLO	10-1005

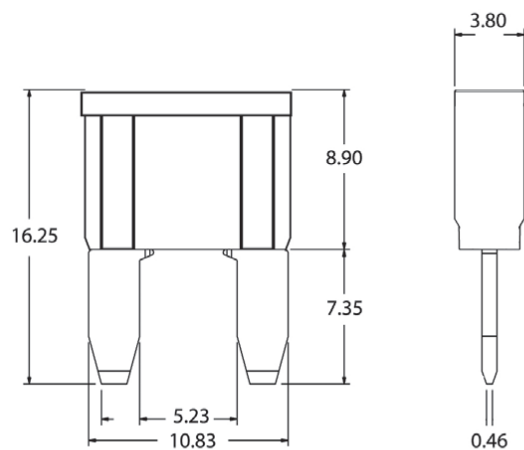


Indicator MINI Smart Glow fuse

Rated 32 V DC

Dimensions

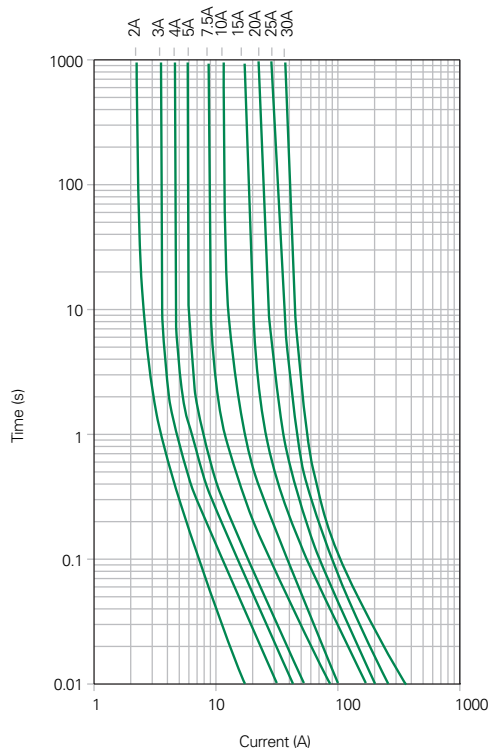
Dimensions in mm



Indicator MINI Smart Glow fuse

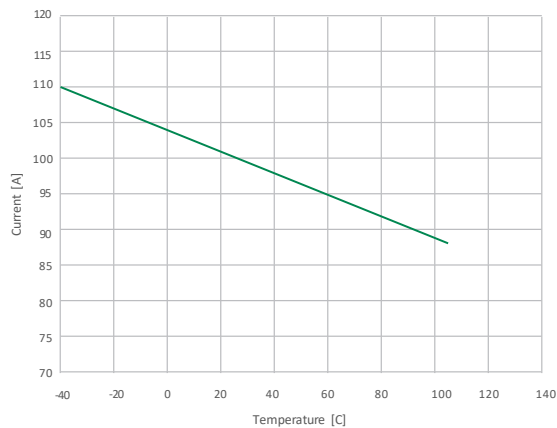
Rated 32 V DC

Time-Current Characteristic



% of Rating	Opening Time Min. / Max. (s)
110	360,000 / -
135	0.75 / 600
200	0.15 / 5
350	0.08 / 0.25
600	0.03 / 0.1

Typical Derating Curves



Derating depicted in these curves is in addition to the standard derating of 25 % for continuous operating.

