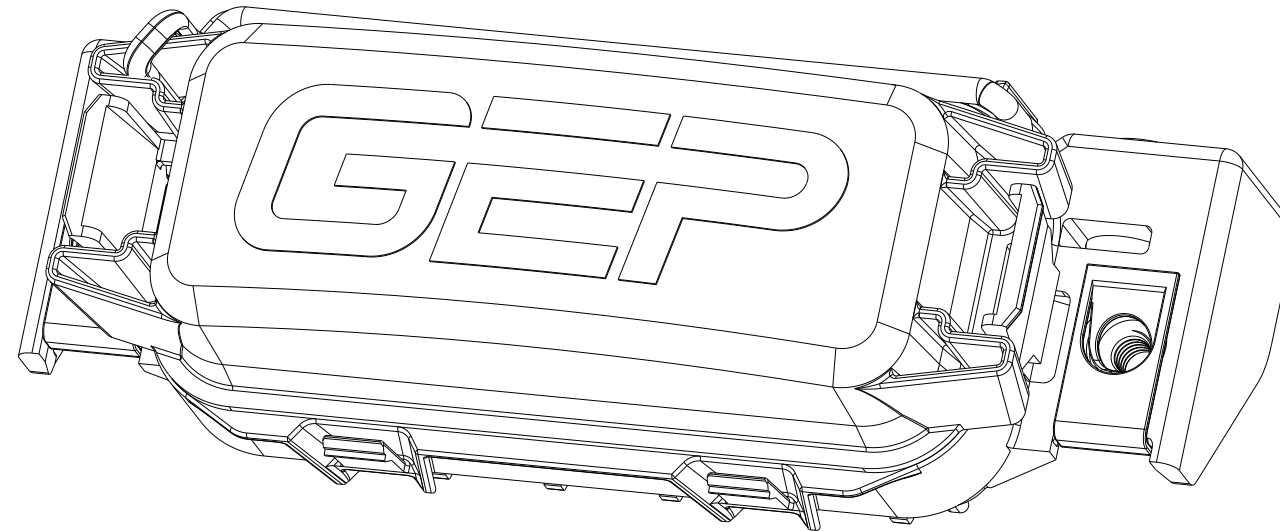


REV	REVISION DETAILS	ECO	DATE	BY	ABY
0	RELEASE FOR PRODUCTION	N/A	9-17-2017	RR	KS
1	UPDATED TO NEW FORMAT. MOVED COMPONENT INSERT OPTIONS TO SHEET 3. CHANGED MOUNTING OPTION I TO OBSOLETE. CHANGED COVER/TETHER OPTIONS B & D TO OBSOLETE. UPDATED DESCRIPTION OF COVER/TETHER OPTION E. MADE SEVERAL NOTE UPDATES AND COMBINED/MOVED ALL DRAWING NOTES TO SHEET 2. ADDED VIEWS & HEIGHT DIMENSIONS TO COMPONENT INSERT OPTIONS. ADDED ISO VIEWS TO SHEET 4. DETAILING MOUNTING OPTIONS. MOVED GANGED VIEWS TO SHEET 4. ADDED PANEL CUTOUT VIEWS & DIMENSIONS TO SHEET 4. MOVED COMPONENT OPTIONS TO SHEET 5. ADDED PLAIN COVER, COVER WITH GORE VENT, GORE VENT SERVICE PART. UPDATED DESCRIPTIONS ON TPA'S, MOUNTING CLIP, SEAL. UPDATED TETHER PART NUMBER. MOVED TABLES TO SHEET 6. ADDED REMOVAL TOOL PART NUMBERS TO TABLES. UPDATED ALL DIMENSIONS TO REFERENCE.	NP-003762	9-30-2021	JWK	JJW
2	UPDATED LAYOUT OF DRAWING	NP-005655	10-17-2023	JWK	JML
3	PART NUMBER WAS PDM-R FAMILY. UPDATED DESCRIPTION. UPDATED TO LATEST DRAWING STANDARDS.	NP-005912	02-13-2024	JWK	JML



ISO VIEW
FOR REF ONLY

CONFIDENTIAL

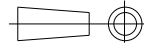
The information contained in this document is the property of GEP Power Products. It is not for public disclosure. Possession of the information does not convey any right to loan, sell or disclose the information. Unauthorized reproduction or use of the information is prohibited. This document is to be returned to GEP Power Products upon completion of the purpose for which it is loaned or upon request.

CRITICAL DIMENSIONS ON FEATURES TO BE CHECKED DURING ANY SET-UP ADJUSTMENTS, TOOL CHANGES, OR ANNUAL MAINTENANCE ON TOOLING.

DIMENSIONS OR FEATURES TO BE CHECKED FROM RUN-TO-RUN

TOLERANCES UNLESS OTHERWISE SPECIFIED

THIRD ANGLE PROJECTION



METRIC TOL

ENGLISH TOL

ANGULAR TOL = $\pm 2^\circ$
FRACTION TOL = $\pm 1/64$ IN

1 PL DEC. = $\pm .25$
2 PL DEC. = $\pm .13$

2 PL DEC. = $\pm .01$
3 PL DEC. = $\pm .005$

DIMENSIONS INSIDE PARENTHESES OR CONTAINING "REF" ARE FOR REFERENCE ONLY.

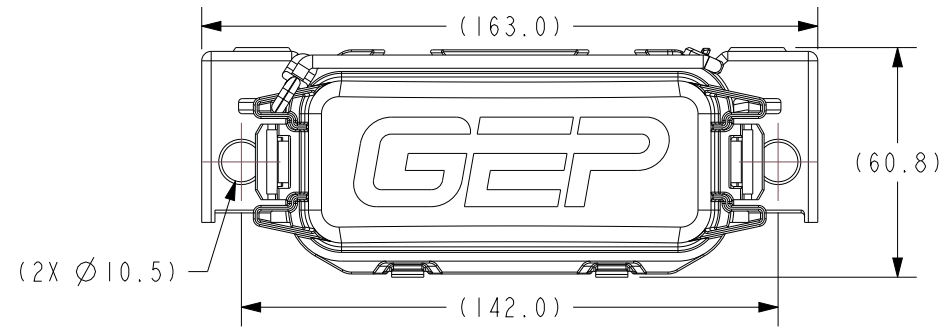
COPYRIGHT - GEP POWER PRODUCTS

This is unpublished work. The disclosure of this work is limited to a select personnel. Further dissemination or disclosure to the public is PROHIBITED. This unpublished work is protected by Federal Copyright law and all rights thereunder are reserved by GEP Power Products.

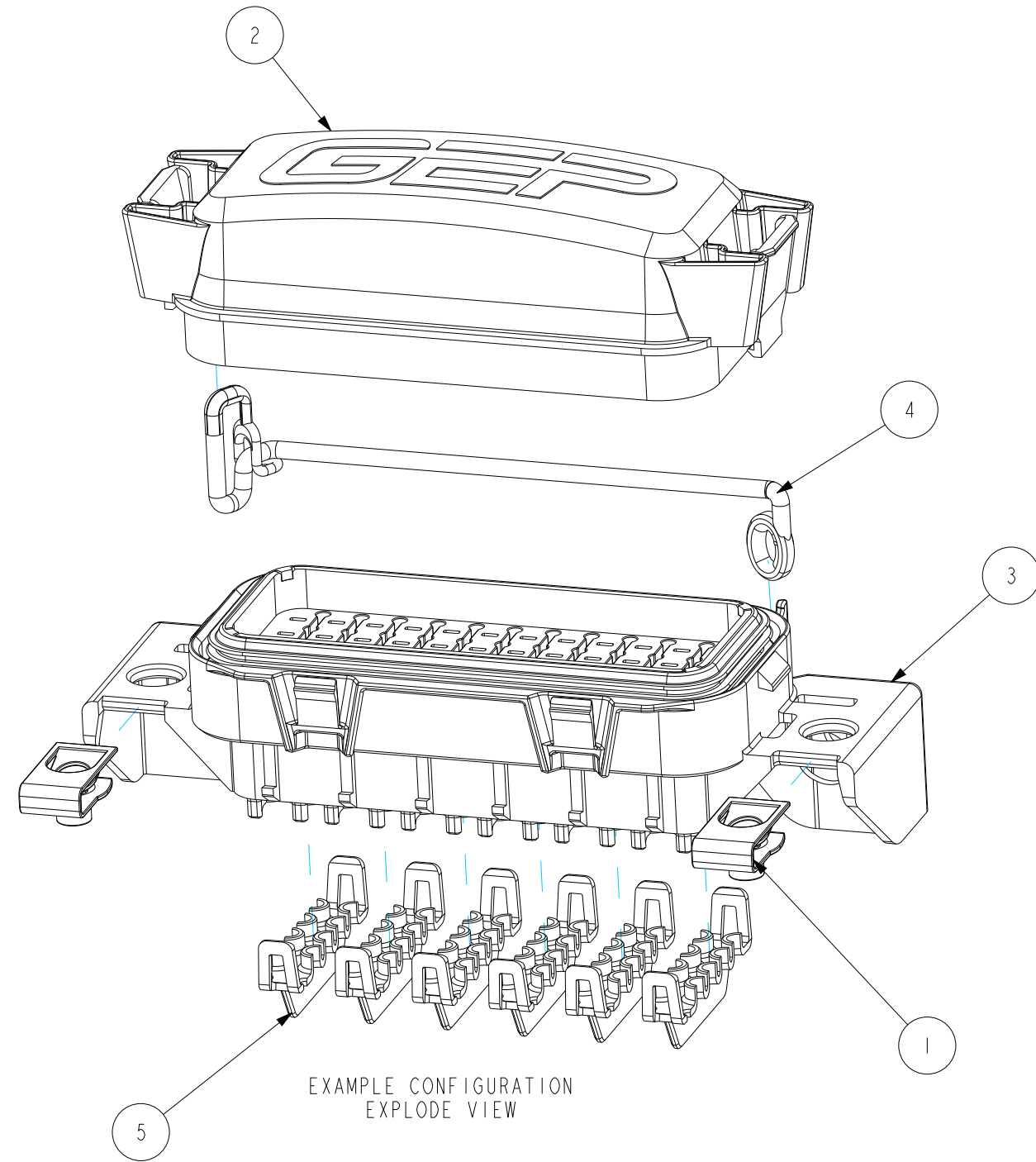
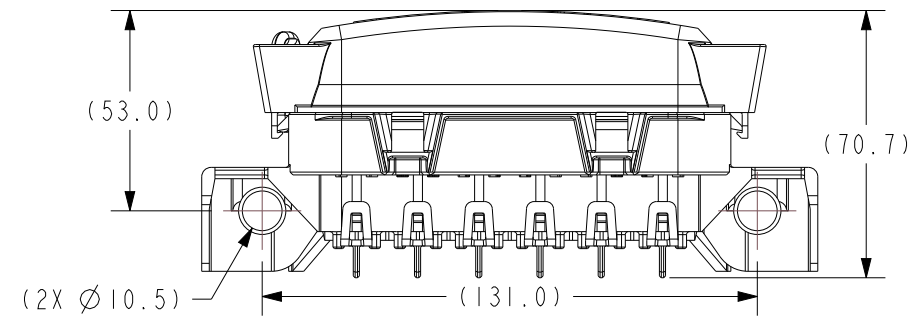


PART NO:	PDM-R SERIES (SALES)			
DESCRIPTION:	POWER DISTRIBUTION MODULE - MODEL R, SERIES DRAWING			
CUSTOMER:	STANDARD			
METRIC (MM)	REV	SHEET	SCALE	SIZE
	3	1 OF 13	1:1	B

EXAMPLE CONFIGURATION & NOTES



EXAMPLE CONFIGURATION
WITH DIMENSIONAL INFO - SCALE 1:2



EXAMPLE CONFIGURATION
EXPLODE VIEW

NOTES:

1. HOUSING & COVER MATERIAL: PBT POLYESTER
2. HOUSING & COVER FINISH/COLOR: MATTE/BLACK
3. SEAL COLOR: BLUE
4. CORRECT TERMINAL SEALS AND/OR CAVITY PLUGS MUST BE USED TO ENSURE A SEALED UNIT
5. RECOMMENDED MAXIMUM MOUNTING TORQUE: 40 IN-LBS
6. DIMENSIONS ARE FOR REFERENCE ONLY
7. IF ADDITIONAL MODULES ARE ADDED,
117.3 DIMENSION WILL INCREASE BY 56.5 MM FOR EACH MODULE.
8. RoHS AND REACH COMPLIANT

EXAMPLE CONFIGURATION BOM

ITEM	DESCRIPTION	PART NO.	QTY
1	CLIP - M6 - 1 U-SPRING NUT	PDM-TMC	2
2	COVER	PDM-TC	1
3	PDM - PDM-R - 280 TERM - HOUSING AND SEAL	PDM-R4A01	1
4	TETHER - COVER	PDM-SCT	1
5	TPA - PDM-R, 280 TERM	PDM-TTI	6

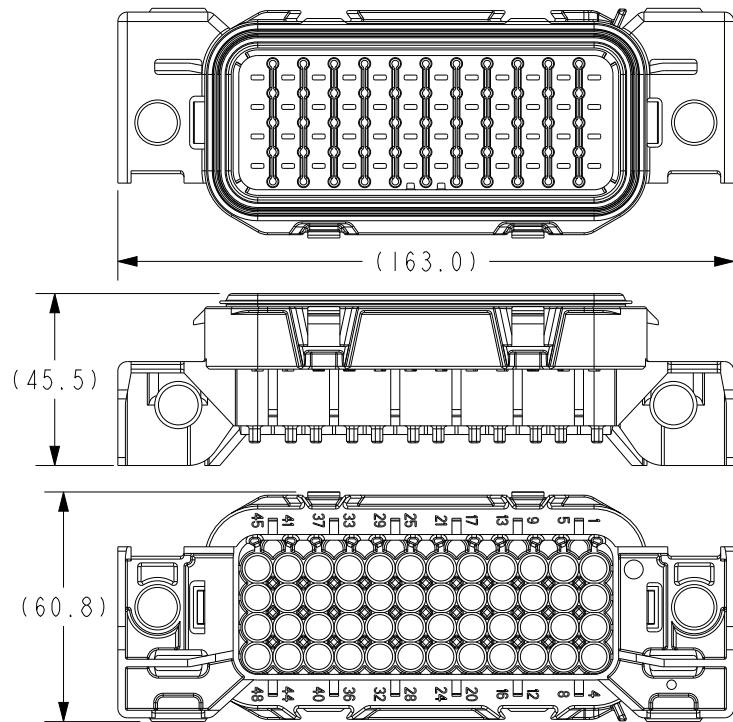
GEP POWER PRODUCTS 16830 Pheasant Drive
Brookfield, WI 53005

PART NO: PDM-R SERIES (SALES)
DESCRIPTION: POWER DISTRIBUTION MODULE - MODEL R,
SERIES DRAWING
CUSTOMER: STANDARD

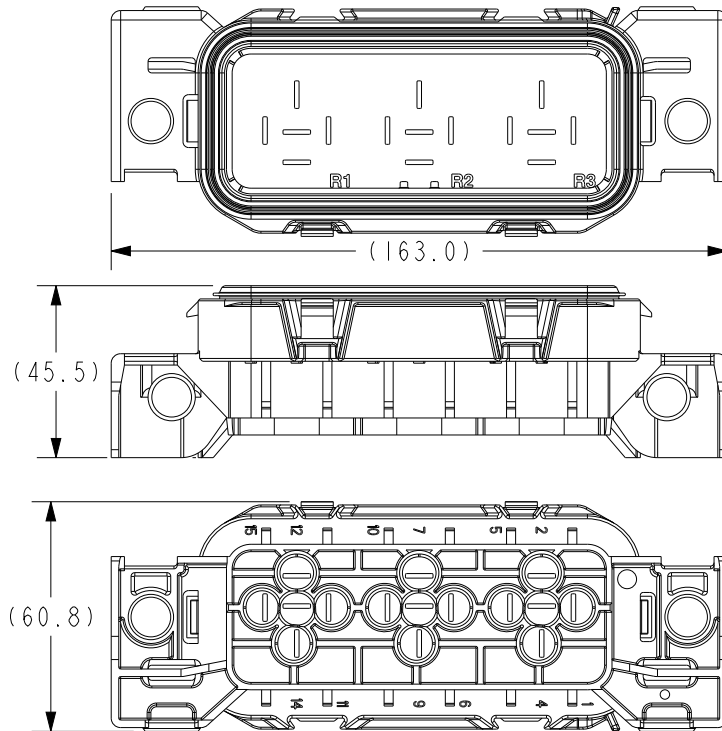
METRIC (MM)	REV 3	SHEET 2 OF 13	SCALE 1:2	SIZE B
-------------	----------	------------------	--------------	-----------

HOUSING W/SEAL OPTIONS

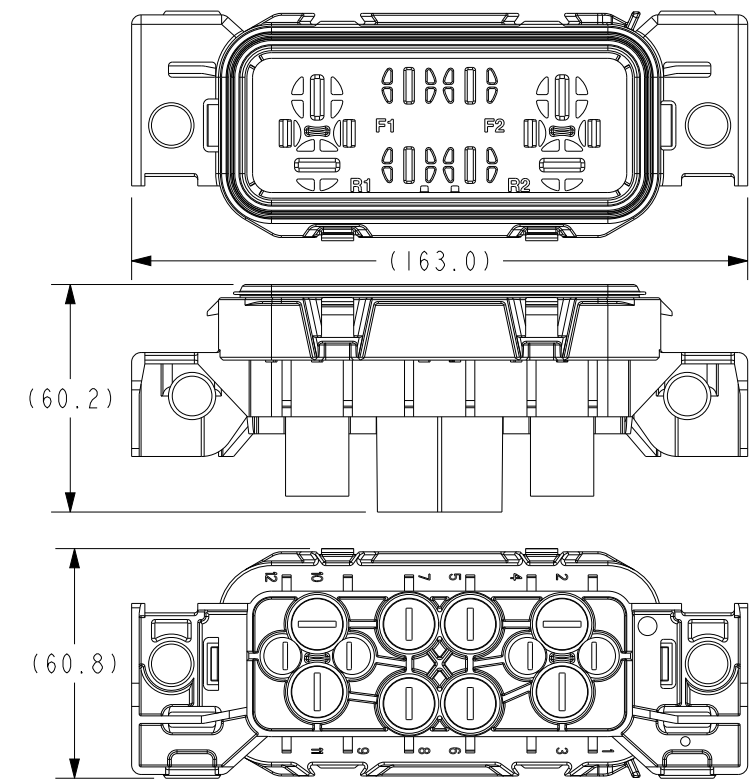
PDM-R4A01
PDM - PDM-R - 280 TERM - HOUSING AND SEAL



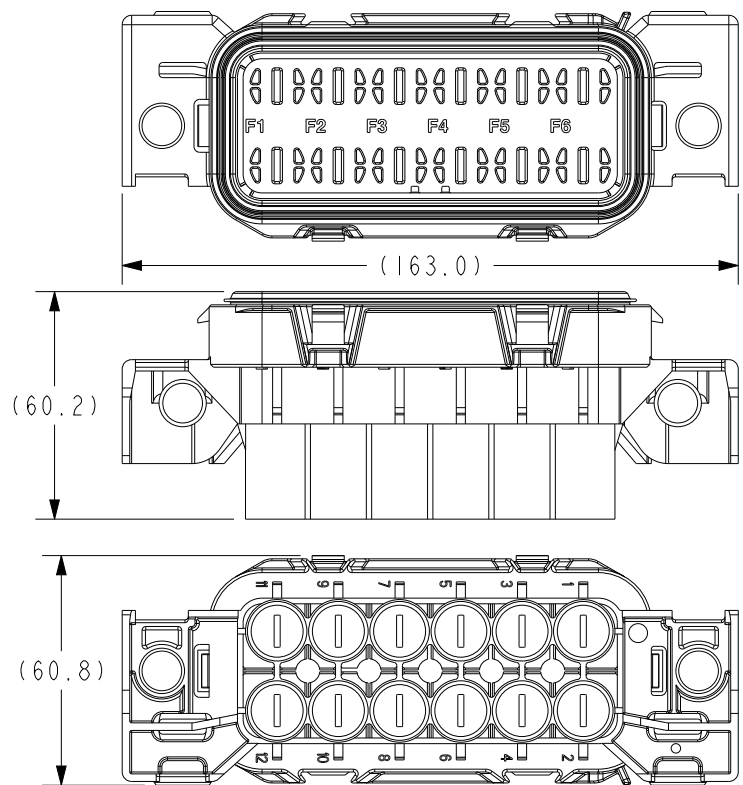
PDM-R4B01
PDM - PDM-R - MINI ISO RELAY - HOUSING AND SEAL



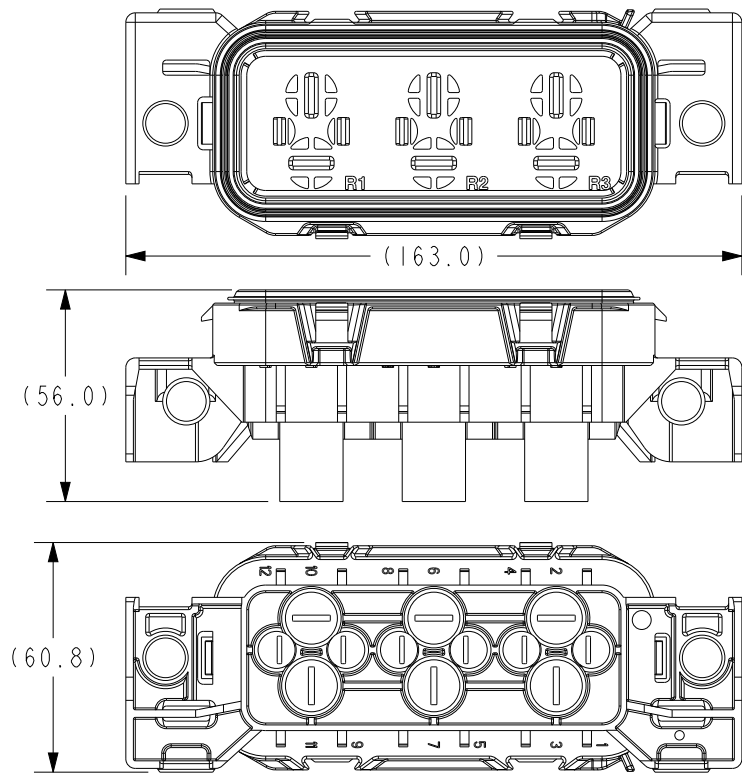
PDM-R4C01
PDM - PDM-R - MAXI ISO RELAY AND MAXI FUSE - HOUSING AND SEAL



PDM-R4D01
PDM - PDM-R - MAXI FUSE - HOUSING AND SEAL

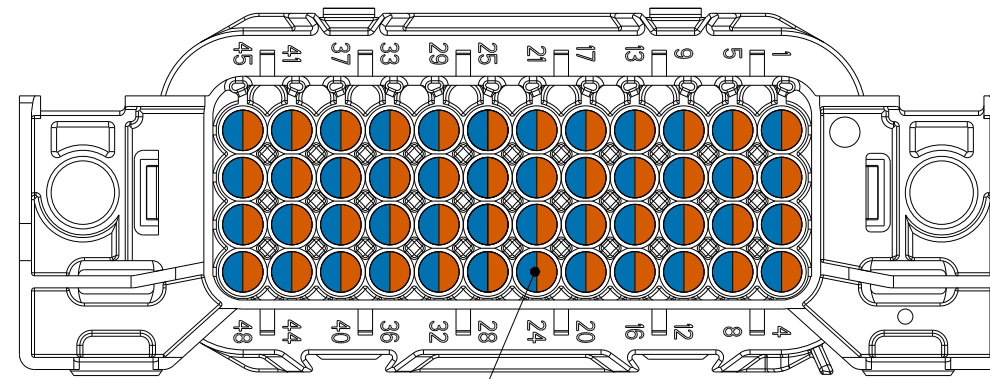


PDM-R4E01
PDM - PDM-R - MAXI ISO RELAY - HOUSING AND SEAL



GEP POWER PRODUCTS		16830 Pheasant Drive Brookfield, WI 53005		
PART NO:	PDM-R SERIES (SALES)			
DESCRIPTION:	POWER DISTRIBUTION MODULE - MODEL R, SERIES DRAWING			
CUSTOMER:	STANDARD			
METRIC (MM)	REV 3	SHEET 3 OF 13	SCALE 1:2	SIZE B

TERMINAL AND CABLE SEAL INFORMATION PDM-R4A01



280 CAVITIES
SEE TABLE A FOR TERMINALS
AND CABLE SEALS

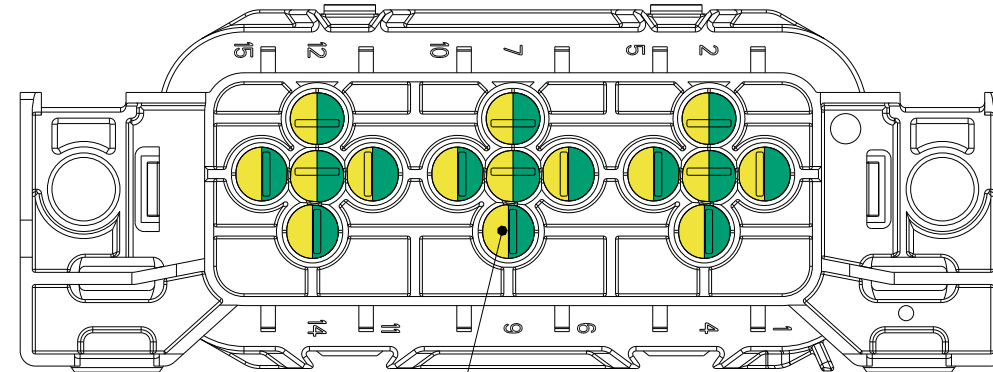
Table A

DELPHI 280 METRI-PACK TERMINALS				
PART #	CABLE RANGE (mm ²)	MATERIAL	PLATING	
12077413	3	TIN BRASS	TIN	
12129493	2.0-3.0	TIN BRASS	TIN	
12077411	0.8-1.0	TIN BRASS	TIN	
12084201	0.35-0.50	TIN BRASS	TIN	
12176387	5	BERYLLIUM COPPER	SILVER/NICKEL	
12176388	2.0-3.0	BERYLLIUM COPPER	SILVER/NICKEL	
12176389	0.8-1.0	BERYLLIUM COPPER	SILVER/NICKEL	
DELPHI 280 METRI-PACK CABLE SEALS (FOR REF. ONLY)				
PART # REEL	PART # LOOSE	CABLE DIA.	MATERIAL	COLOR
12015360	12015193	3.45-4.3	SILICONE	BLUE
12015359	12010293	2.81-3.49	SILICONE	LT. GRAY
12015284	12015323	2.03-2.85	SILICONE	GREEN
12041352	12041351	2.03-2.42	SILICONE	TAN
12089444	12089679	1.6-2.15	SILICONE	PURPLE
12034365	12015899	1.29-1.70	SILICONE	DK. RED
	12010300	PLUG	SILICONE	GREEN
DELPHI 280 METRI-PACK TERMINAL REMOVAL TOOL (FOR REF. ONLY)				
PART # 12094430				

GEP <small>POWER PRODUCTS</small>		<small>16830 Pheasant Drive Brookfield, WI 53005</small>		
PART NO:		PDM-R SERIES (SALES)		
DESCRIPTION:		POWER DISTRIBUTION MODULE - MODEL R, SERIES DRAWING		
CUSTOMER:		STANDARD		
METRIC (MM)	REV	SHEET	SCALE	SIZE
	3	4 OF 13	1:1	B

TERMINAL AND CABLE SEAL INFORMATION

PDM-R4B01



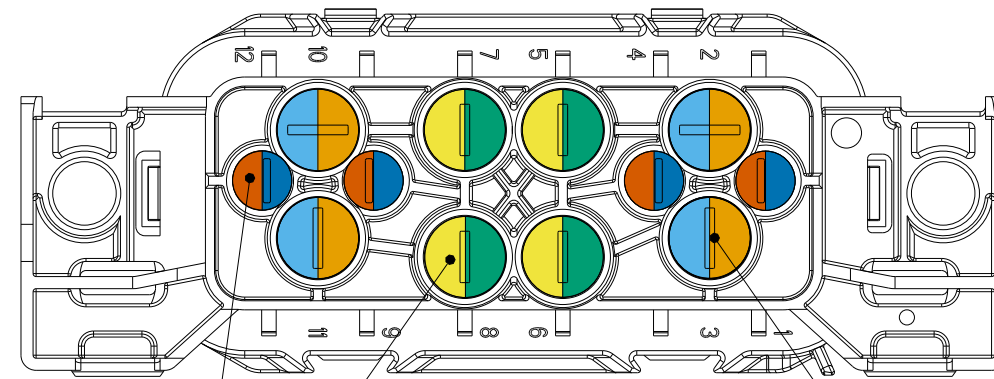
630 CAVITIES
SEE TABLE B FOR TERMINALS
AND CABLE SEALS

Table B

DELPHI 630 METRI-PACK TERMINALS				
PART #	RANGE (mm ²)	MATERIAL	PLATING	
15317331	4.00-6.00	TIN BRASS	TIN	
12052456	3.00-5.00	TIN BRASS	TIN	
12052455	1.00-2.00	TIN BRASS	TIN	
12052457	0.50-0.80	TIN BRASS	TIN	
15317332	4.00-6.00	BERYLLIUM COPPER	SILVER/NICKEL	
15305232	3.00-5.00	BERYLLIUM COPPER	SILVER/NICKEL	
DELPHI 480 METRI-PACK CABLE SEALS (REF. ONLY)				
NOTE: 630 CAVITIES IN THIS HOUSING ARE DESIGNED TO BE USED WITH 480 SERIES CABLE SEALS				
PART # REEL	PART # LOOSE	CABLE DIA.	MATERIAL	COLOR
15344644	15363779	1.20-2.00	SILICONE	YELLOW
12052931	12052930	1.60-2.15	SILICONE	YELLOW
	15327998	2.00-2.70	SILICONE	BLUE
12048433	12048441	2.00-2.90	SILICONE	WHITE
15344645	15363604	2.00-2.90	SILICONE	WHITE
12052452	12048442	2.80-3.90	SILICONE	DK. RED
15337204	15327864	2.80-3.80	SILICONE	DK. RED
15344646	15363605	3.60-4.50	SILICONE	GREEN
10733034	10733145	4.40-5.10	SILICONE	GRAY
15344104	15344647	4.40-5.10	SILICONE	GRAY
	12066082	PLUG	SILICONE	LT. GREEN
DELPHI METRI-PACK TERMINAL REMOVAL TOOL (FOR REF. ONLY)				
PART # 12094430				

GEP <small>POWER PRODUCTS</small>		<small>16830 Pheasant Drive Brookfield, WI 53005</small>		
PART NO:		PDM-R SERIES (SALES)		
DESCRIPTION:		POWER DISTRIBUTION MODULE - MODEL R, SERIES DRAWING		
CUSTOMER:		STANDARD		
METRIC (MM)	REV	SHEET	SCALE	SIZE
	3	5 OF 13	1:1	B

TERMINAL AND CABLE SEAL INFORMATION PDM-R4C01



630 CAVITIES
SEE TABLE C FOR TERMINALS
AND CABLE SEALS

LEAR MAK8 CAVITIES
SEE TABLE D FOR TERMINALS
AND CABLE SEALS

DUCON 9.5 CAVITIES
SEE TABLE E FOR TERMINALS
AND CABLE SEALS

Table C

DELPHI 630 METRI-PACK TERMINALS (FOR REF. ONLY)				
PART #	RANGE (mm ²)	MATERIAL	PLATING	
15317331	4.00-6.00	TIN BRASS	TIN	
12052456	3.00-5.00	TIN BRASS	TIN	
12052455	1.00-2.00	TIN BRASS	TIN	
12052457	0.50-0.80	TIN BRASS	TIN	
15317332	4.00-6.00	BERYLLIUM COPPER	SILVER/NICKEL	
15305232	3.00-5.00	BERYLLIUM COPPER	SILVER/NICKEL	
DELPHI 630 METRI-PACK CABLE SEALS (FOR REF. ONLY)				
PART # REEL	PART # LOOSE	CABLE DIA.	MATERIAL	COLOR
10730240	15324997	1.65-2.15	SILICONE	TAN
15344951	15324995	2.01-2.85	SILICONE	DK. RED
10730241	15324994	2.81-3.75	SILICONE	GRAY
15344032	15324996	3.61-4.50	SILICONE	BLUE
	15324993	4.40-5.10	SILICONE	GREEN
12077760	12077759	1.65-2.15	SILICONE	TAN
12059259	12052388	2.01-2.85	SILICONE	DK. RED
12059258	12052387	2.81-3.75	SILICONE	GRAY
12059260	12052668	3.61-4.50	SILICONE	BLUE
12059257	12052386	4.40-5.10	SILICONE	GREEN
	12059255	PLUG	SILICONE	LT. GREEN
DELPHI 630 METRI-PACK TERMINAL REMOVAL TOOL (FOR REF. ONLY)				
PART # 12094430				

Table D

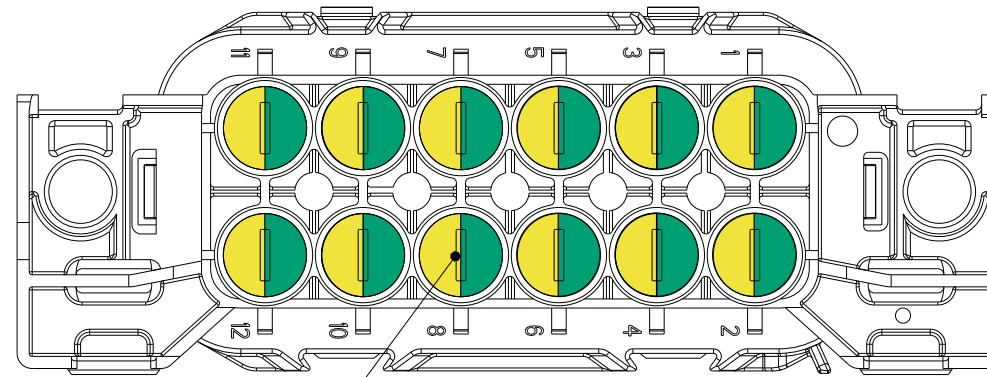
LEAR MAK8 PLUS TERMINALS (FOR REF. ONLY)			
PART NUMBER	RANGE (mm ²)	PLATING	VARIATION
28224 306 179	2.5-4.0	TIN	1 - LONG SEAL
28224 306 710	2.5-4.0	SILVER	1 - LONG SEAL
28469 306 189	2.5-4.0	SILVER/TIN	3 - SHORT SEAL
28225 306 179	6.0-10.0	TIN	1 - LONG SEAL
28225 306 710	6.0-10.0	SILVER	1 - LONG SEAL
28459 306 189	6.0-10.0	SILVER/TIN	3 - SHORT SEAL
28243 306 179	10.0-16.0	TIN	1 - LONG SEAL
28243 306 710	10.0-16.0	SILVER	1 - LONG SEAL
GEP CABLE SEALS (VARIATION 1 - LONG)			
PART NUMBER	CABLE DIA.	MATERIAL	COLOR
PDM-TWS-L1	2.7-3.0	SILICONE	GREEN
PDM-TWS-L2	3.4-3.8	SILICONE	PURPLE
PDM-TWS-L3	4.0-4.5	SILICONE	ORANGE
PDM-TWS-L4	4.6-5.3	SILICONE	LIGHT BLUE
PDM-TWS-L5	5.8-6.6	SILICONE	GRAY
PDM-TWS-L6	6.5-7.8	SILICONE	RED
GEP CABLE SEALS (VARIATION 3 - SHORT)			
PDM-TWS-S1	2.7-3.0	SILICONE	GREEN
PDM-TWS-S2	3.4-3.8	SILICONE	PURPLE
PDM-TWS-S3	4.0-4.5	SILICONE	ORANGE
PDM-TWS-S4	4.6-5.3	SILICONE	LIGHT BLUE
PDM-TWS-S5	5.8-6.6	SILICONE	GRAY
GEP CABLE SEAL PLUG			
PDM-TWS-P	N.A.	SILICONE	YELLOW
LEAR MAK8 PLUS TERMINAL REMOVAL TOOL (FOR REF. ONLY)			
PART # 50000017609 BY Karl Püplichhuisen GmbH & Co.			

Table E

DELPHI 9.5 DUCON TERMINALS			
PART #	CABLE RANGE (mm ²)	MATERIAL	PLATING
15327010	4.0-6.0	COPPER ALLOY	TIN
15482568	4.0-6.0	COPPER ALLOY	SILVER/TIN
10730408	10	COPPER ALLOY	TIN
15408423	10	COPPER ALLOY	SILVER/TIN
15458196	16	COPPER ALLOY	TIN
15458198	16	COPPER ALLOY	SILVER/TIN
DELPHI 9.5 DUCON CABLE SEALS (FOR REF. ONLY)			
PART #	CABLE DIA.	MATERIAL	COLOR
15492996	2.20-3.00	SILICONE	BLUE
15327126	3.4-4.3	SILICONE	DK. RED
10720983	6.00-6.40	SILICONE	GREEN
15470809	6.50-7.75	SILICONE	RED
10720907	PLUG	SILICONE	GREEN
GEP CABLE SEALS - 9.5 DUCON (FOR REF. ONLY)			
PART #	CABLE DIA.	MATERIAL	COLOR
PDM-TWS-D4	4.6-5.3	SILICONE	LIGHT BLUE
DELPHI 9.5 DUCON TERMINAL REMOVAL TOOL (FOR REF. ONLY)			
PART # 10714800			

GEP POWER PRODUCTS		16830 Pheasant Drive Brookfield, WI 53005	
PART NO:		PDM-R SERIES (SALES)	
DESCRIPTION:		POWER DISTRIBUTION MODULE - MODEL R, SERIES DRAWING	
CUSTOMER:		STANDARD	
METRIC (MM)	REV	SHEET	SCALE
	3	6 OF 13	1:1
			SIZE B

TERMINAL AND CABLE SEAL INFORMATION PDM-R4D01



LEAR MAK8 CAVITIES
SEE TABLE D FOR TERMINALS
AND CABLE SEALS

Table D

LEAR MAK8 PLUS TERMINALS (FOR REF. ONLY)			
PART NUMBER	RANGE (mm ²)	PLATING	VARIATION
28224 306 179	2.5-4.0	TIN	1 - LONG SEAL
28224 306 710	2.5-4.0	SILVER	1 - LONG SEAL
28469 306 189	2.5-4.0	SILVER/TIN	3 - SHORT SEAL
28225 306 179	6.0-10.0	TIN	1 - LONG SEAL
28225 306 710	6.0-10.0	SILVER	1 - LONG SEAL
28459 306 189	6.0-10.0	SILVER/TIN	3 - SHORT SEAL
28243 306 179	10.0-16.0	TIN	1 - LONG SEAL
28243 306 710	10.0-16.0	SILVER	1 - LONG SEAL
GEP CABLE SEALS (VARIATION 1 - LONG)			
PART NUMBER	CABLE DIA.	MATERIAL	COLOR
PDM-TWS-L1	2.7-3.0	SILICONE	GREEN
PDM-TWS-L2	3.4-3.8	SILICONE	PURPLE
PDM-TWS-L3	4.0-4.5	SILICONE	ORANGE
PDM-TWS-L4	4.6-5.3	SILICONE	LIGHT BLUE
PDM-TWS-L5	5.8-6.6	SILICONE	GRAY
PDM-TWS-L6	6.5-7.8	SILICONE	RED
GEP CABLE SEALS (VARIATION 3 - SHORT)			
PDM-TWS-S1	2.7-3.0	SILICONE	GREEN
PDM-TWS-S2	3.4-3.8	SILICONE	PURPLE
PDM-TWS-S3	4.0-4.5	SILICONE	ORANGE
PDM-TWS-S4	4.6-5.3	SILICONE	LIGHT BLUE
PDM-TWS-S5	5.8-6.6	SILICONE	GRAY
GEP CABLE SEAL PLUG			
PDM-TWS-P	N.A.	SILICONE	YELLOW
LEAR MAK8 PLUS TERMINAL REMOVAL TOOL (FOR REF. ONLY)			
PART # 50000017609 BY Karl Püplichhaisen GmbH & Co.			

		16830 Pheasant Drive Brookfield, WI 53005		
PART NO:		PDM-R SERIES (SALES)		
DESCRIPTION:		POWER DISTRIBUTION MODULE - MODEL R, SERIES DRAWING		
CUSTOMER:		STANDARD		
METRIC (MM)	REV	SHEET	SCALE	SIZE
	3	7 OF 13	1:1	B

TERMINAL AND CABLE SEAL INFORMATION PDM-R4E01

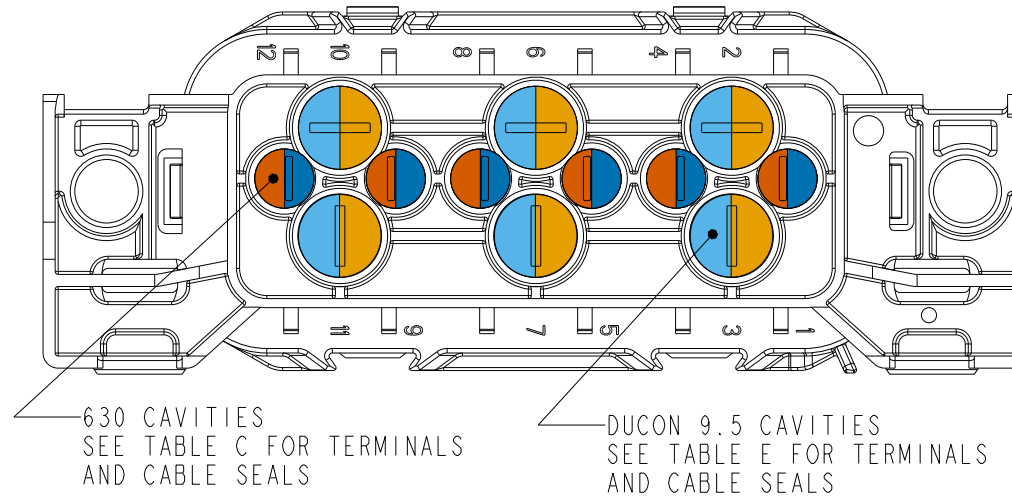


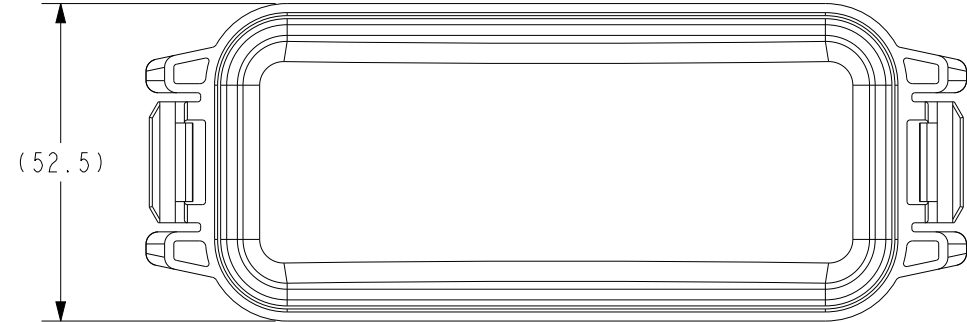
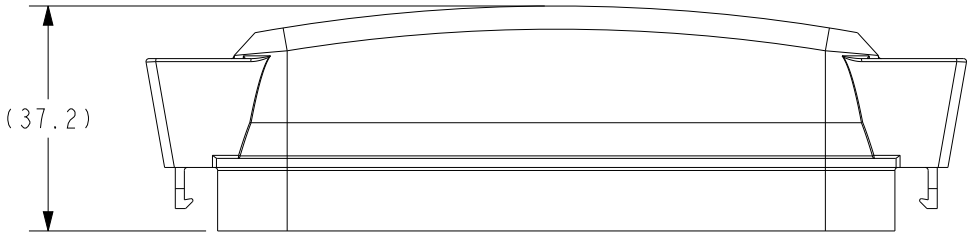
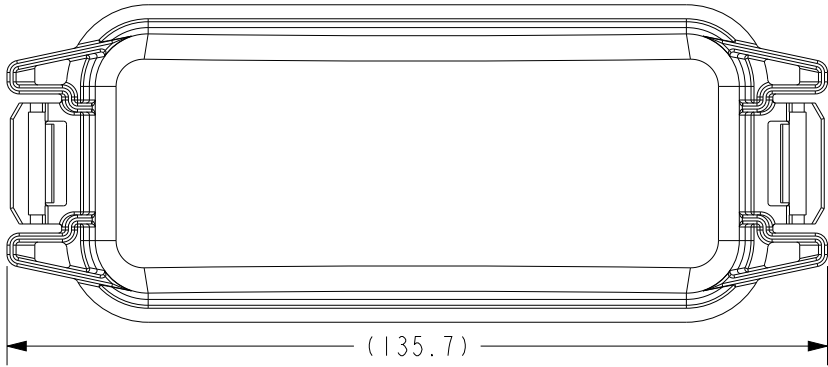
Table C				
DELPHI 630 METRI-PACK TERMINALS (FOR REF. ONLY)				
PART #	RANGE (mm ²)	MATERIAL	PLATING	
15317331	4.00-6.00	TIN BRASS	TIN	
12052456	3.00-5.00	TIN BRASS	TIN	
12052455	1.00-2.00	TIN BRASS	TIN	
12052457	0.50-0.80	TIN BRASS	TIN	
15317332	4.00-6.00	BERYLLIUM COPPER	SILVER/NICKEL	
15305232	3.00-5.00	BERYLLIUM COPPER	SILVER/NICKEL	
DELPHI 630 METRI-PACK CABLE SEALS (FOR REF. ONLY)				
PART # REEL	PART # LOOSE	CABLE DIA.	MATERIAL	COLOR
10730240	15324997	1.65-2.15	SILICONE	TAN
15344951	15324995	2.01-2.85	SILICONE	DK. RED
10730241	15324994	2.81-3.75	SILICONE	GRAY
15344032	15324996	3.61-4.50	SILICONE	BLUE
	15324993	4.40-5.10	SILICONE	GREEN
12077760	12077759	1.65-2.15	SILICONE	TAN
12059259	12052388	2.01-2.85	SILICONE	DK. RED
12059258	12052387	2.81-3.75	SILICONE	GRAY
12059260	12052668	3.61-4.50	SILICONE	BLUE
12059257	12052386	4.40-5.10	SILICONE	GREEN
	12059255	PLUG	SILICONE	LT. GREEN
DELPHI 630 METRI-PACK TERMINAL REMOVAL TOOL (FOR REF. ONLY)				
PART # 12094430				

Table E			
DELPHI 9.5 DUCON TERMINALS			
PART #	CABLE RANGE (mm ²)	MATERIAL	PLATING
15327010	4.0-6.0	COPPER ALLOY	TIN
15482568	4.0-6.0	COPPER ALLOY	SILVER/TIN
10730408	10	COPPER ALLOY	TIN
15408423	10	COPPER ALLOY	SILVER/TIN
15458196	16	COPPER ALLOY	TIN
15458198	16	COPPER ALLOY	SILVER/TIN
DELPHI 9.5 DUCON CABLE SEALS (FOR REF. ONLY)			
PART #	CABLE DIA.	MATERIAL	COLOR
15492996	2.20-3.00	SILICONE	BLUE
15327126	3.4-4.3	SILICONE	DK. RED
10720983	6.00-6.40	SILICONE	GREEN
15470809	6.50-7.75	SILICONE	RED
10720907	PLUG	SILICONE	GREEN
GEP CABLE SEALS - 9.5 DUCON (FOR REF. ONLY)			
PART #	CABLE DIA.	MATERIAL	COLOR
PDM-TWS-D4	4.6-5.3	SILICONE	LIGHT BLUE
DELPHI 9.5 DUCON TERMINAL REMOVAL TOOL (FOR REF. ONLY)			
PART # 10714800			

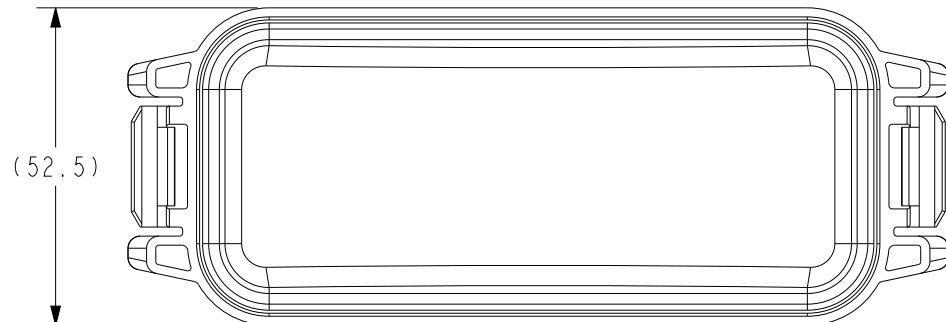
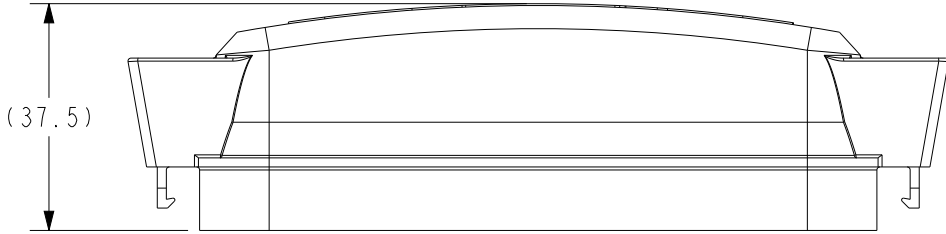
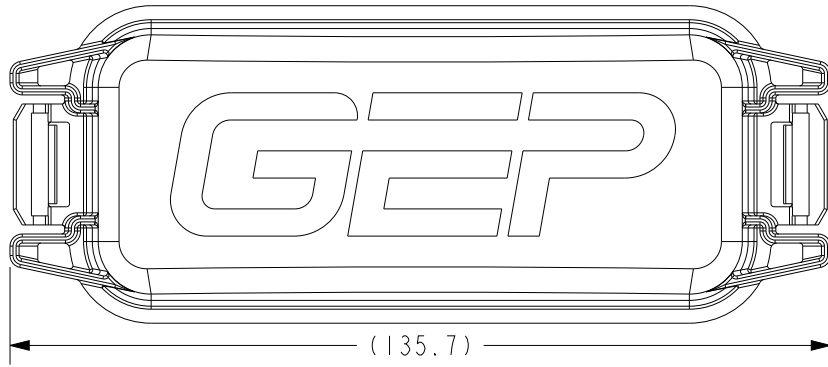
GEP POWER PRODUCTS		16830 Pheasant Drive Brookfield, WI 53005		
PART NO:		PDM-R SERIES (SALES)		
DESCRIPTION:		POWER DISTRIBUTION MODULE - MODEL R, SERIES DRAWING		
CUSTOMER:		STANDARD		
METRIC (MM)	REV	SHEET	SCALE	SIZE
	3	8 OF 13	1:1	B

COVER OPTIONS

PDM-TCP
COVER, PLAIN

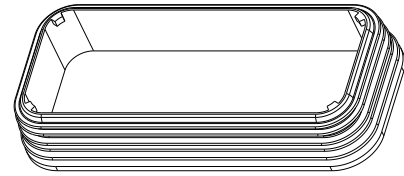


PDM-TC
COVER

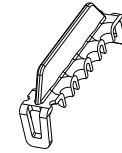


		16830 Pheasant Drive Brookfield, WI 53005		
PART NO:		PDM-R SERIES (SALES)		
DESCRIPTION:		POWER DISTRIBUTION MODULE - MODEL R, SERIES DRAWING		
CUSTOMER:		STANDARD		
METRIC (MM)	REV	SHEET	SCALE	SIZE
	3	9 OF 13	1:1	B

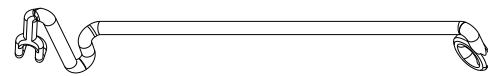
ACCESSORIES



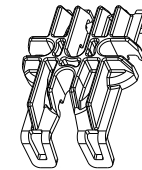
PDM-RS
BLUE SEAL
(INCLUDED WITH HOUSINGS)



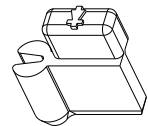
PDM-TT1
280 TPA
(6 PER ASSY REQUIRED FOR PDM-R4A01)



PDM-SCT
TETHER
(WAS PDM-TCT)

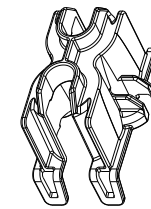


PDM-TT2
ISO RELAY TPA
(3 PER ASSY REQUIRED FOR PDM-R4B01)

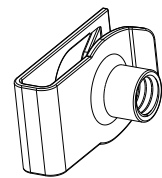


SCALE 2:1

PDM-TK
DIODE KEY

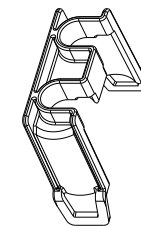


SC38-2006A-B003
MAXI ISO RELAY TPA
(2 PER ASSY REQUIRED FOR PDM-R4C01)
(3 PER ASSY REQUIRED FOR PDM-R4E01)



SCALE 1:1

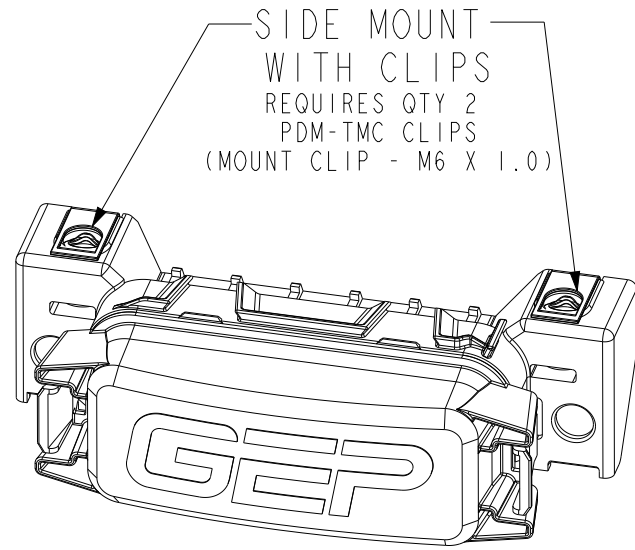
PDM-TMC
MOUNTING CLIP M6



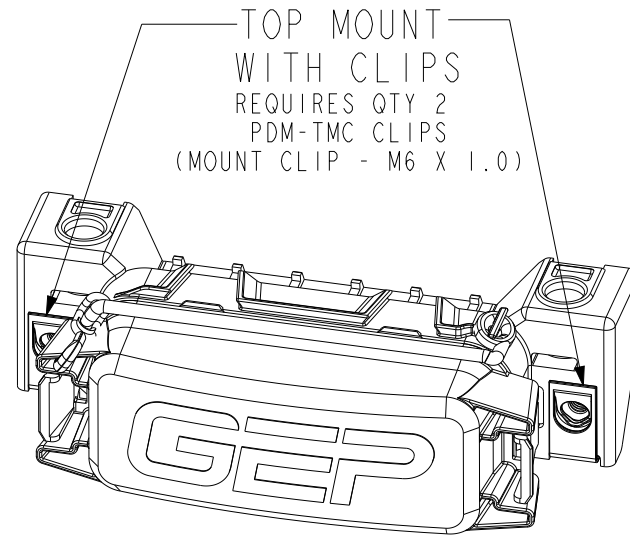
PDM-TT4
MAXI FUSE TPA
(2 PER ASSY REQUIRED FOR PDM-R4C01)
(6 PER ASSY REQUIRED FOR PDM-R4D01)

		16830 Pheasant Drive Brookfield, WI 53005		
PART NO:		PDM-R SERIES (SALES)		
DESCRIPTION:		POWER DISTRIBUTION MODULE - MODEL R, SERIES DRAWING		
CUSTOMER:		STANDARD		
METRIC (MM)	REV	SHEET	SCALE	SIZE
	3	10 OF 13	1:2	B

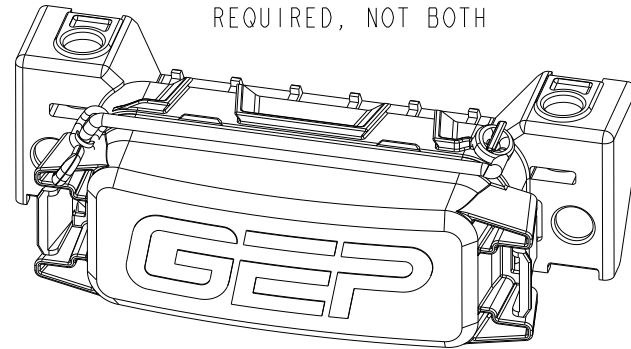
MOUNTING OPTIONS



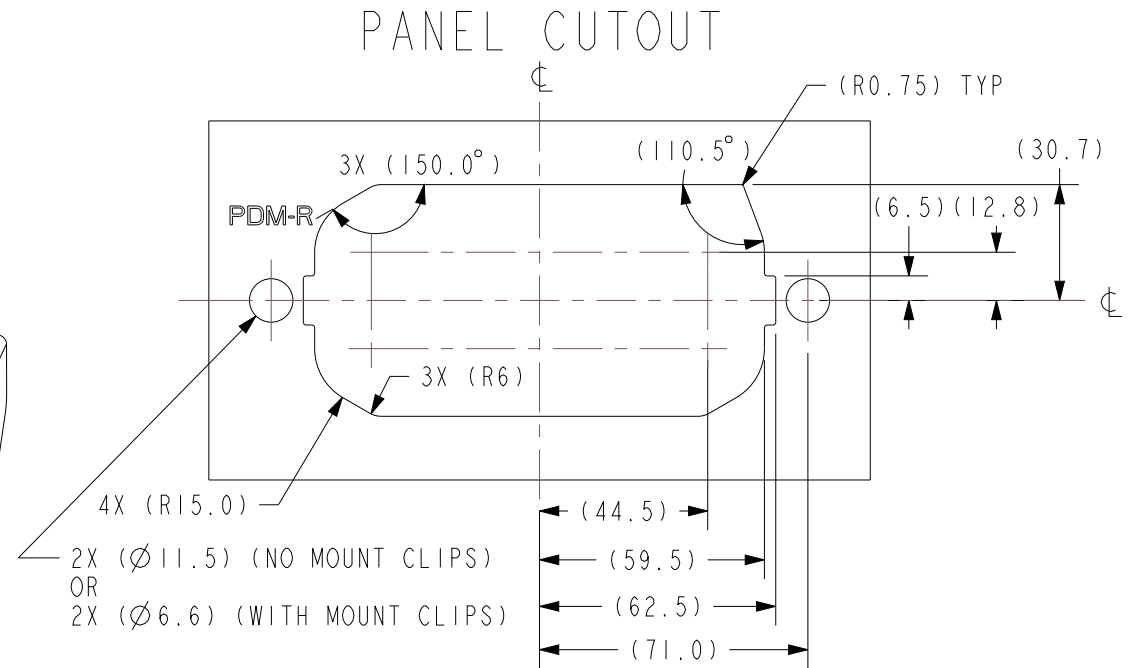
SIDE MOUNT
WITH CLIPS
REQUIRES QTY 2
PDM-TMC CLIPS
(MOUNT CLIP - M6 X 1.0)



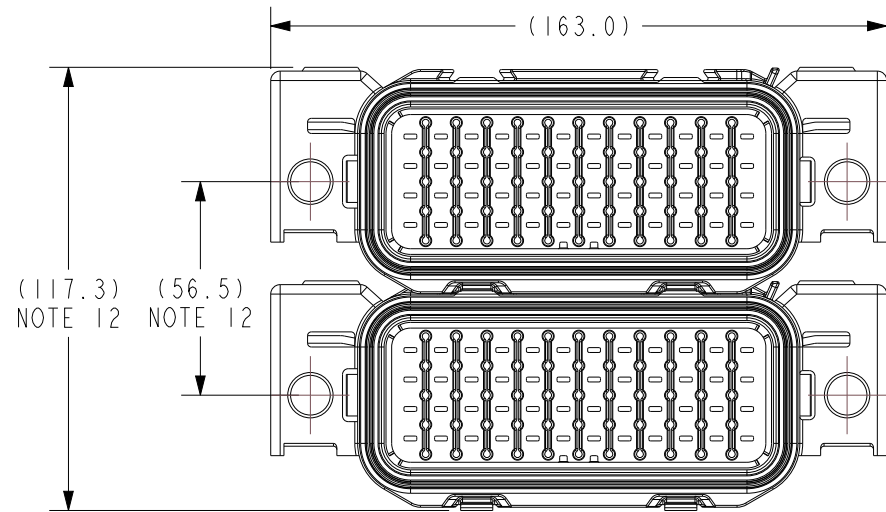
TOP MOUNT
WITH CLIPS
REQUIRES QTY 2
PDM-TMC CLIPS
(MOUNT CLIP - M6 X 1.0)



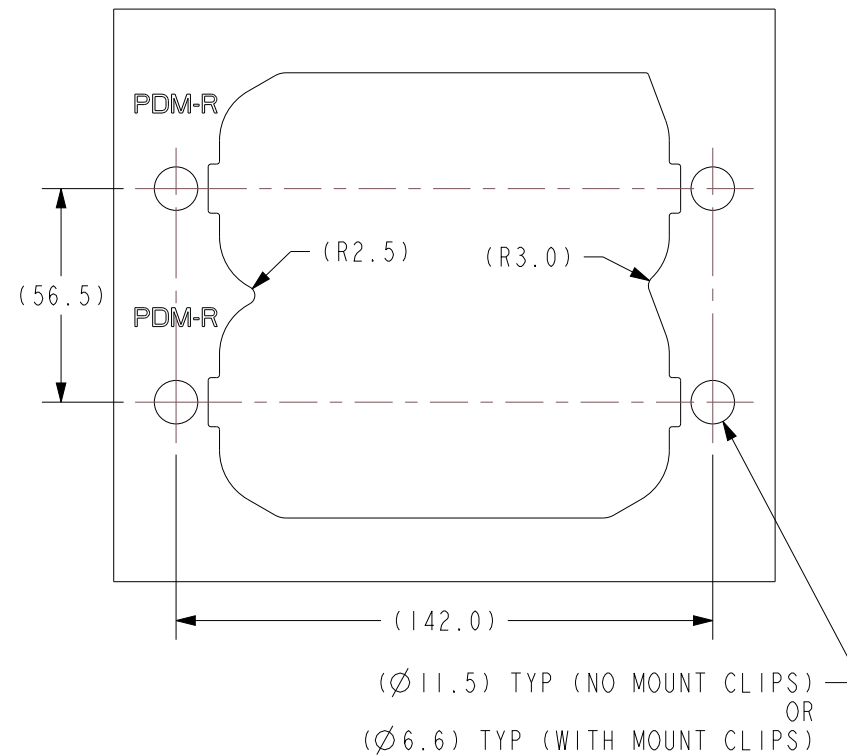
SIDE OR TOP MOUNT
NO CLIPS
SIDE/TOP MOUNT FOR M10
OR 3/8" FASTENER
ONLY SIDE OR TOP MOUNTS
REQUIRED, NOT BOTH



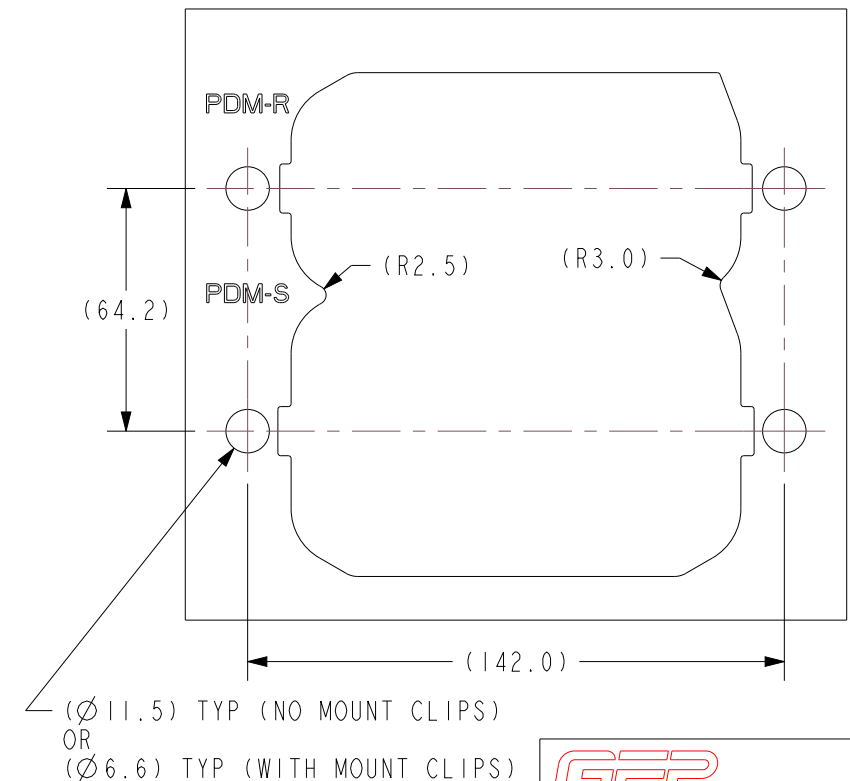
GANGED OPTION PDM-R GANGED WITH PDM-R



PANEL CUTOUT PDM-R GANGED WITH PDM-R



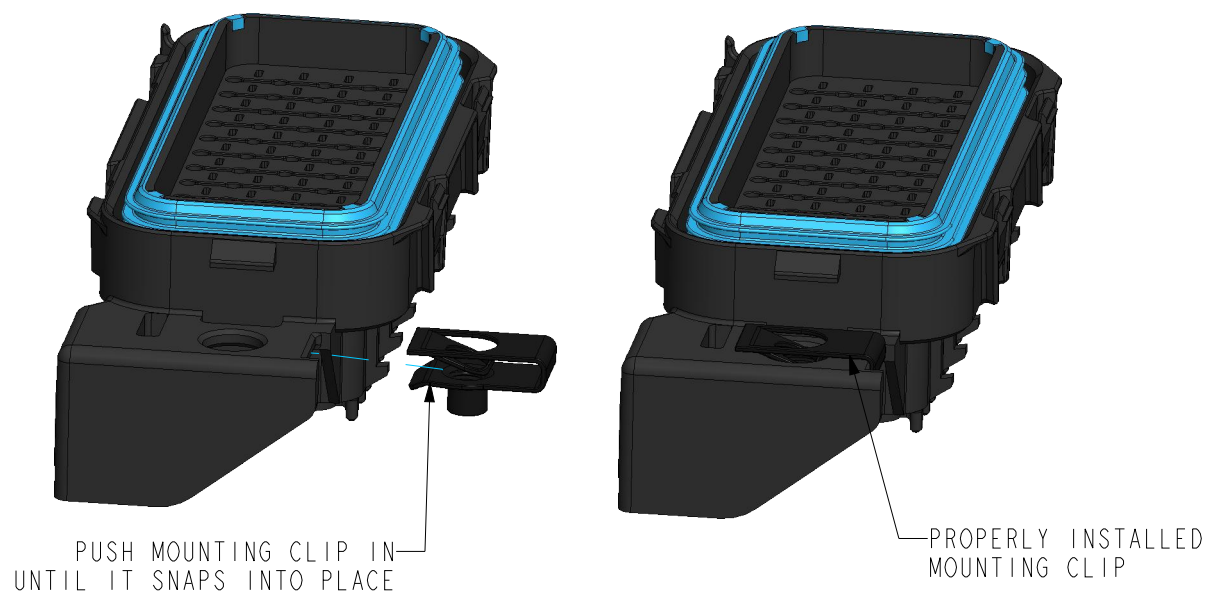
PANEL CUTOUT PDM-R GANGED WITH PDM-S (SEE PDM-S SERIES (SALES) FOR PDM-S PANEL CUTOUT DETAILS)



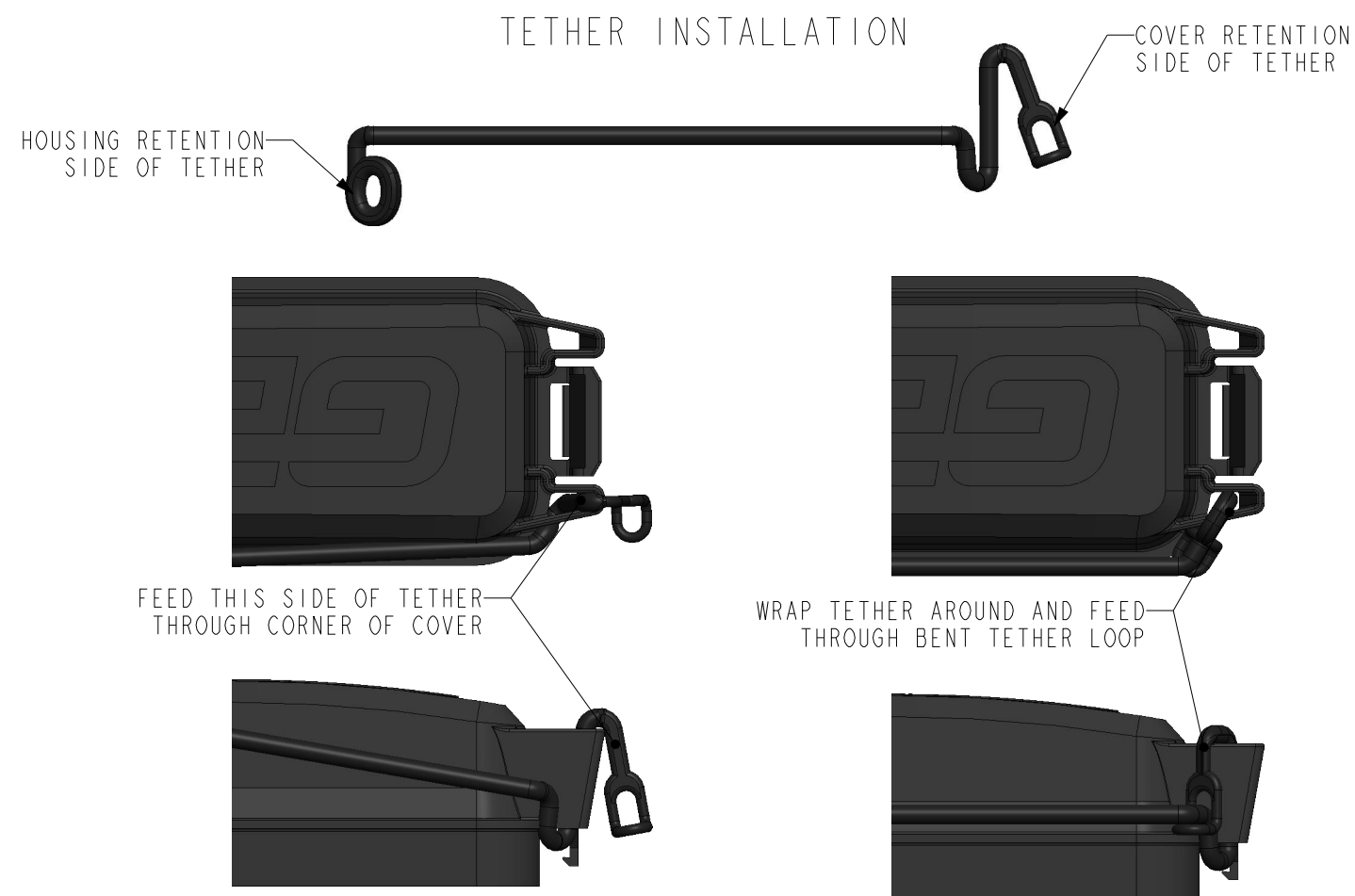
GEP POWER PRODUCTS		16830 Pheasant Drive Brookfield, WI 53005		
PART NO:	PDM-R SERIES (SALES)			
DESCRIPTION:	POWER DISTRIBUTION MODULE - MODEL R, SERIES DRAWING			
CUSTOMER:	STANDARD			
METRIC (MM)	REV 3	SHEET 11 OF 13	SCALE 1:2	SIZE B

ASSEMBLY INSTRUCTIONS

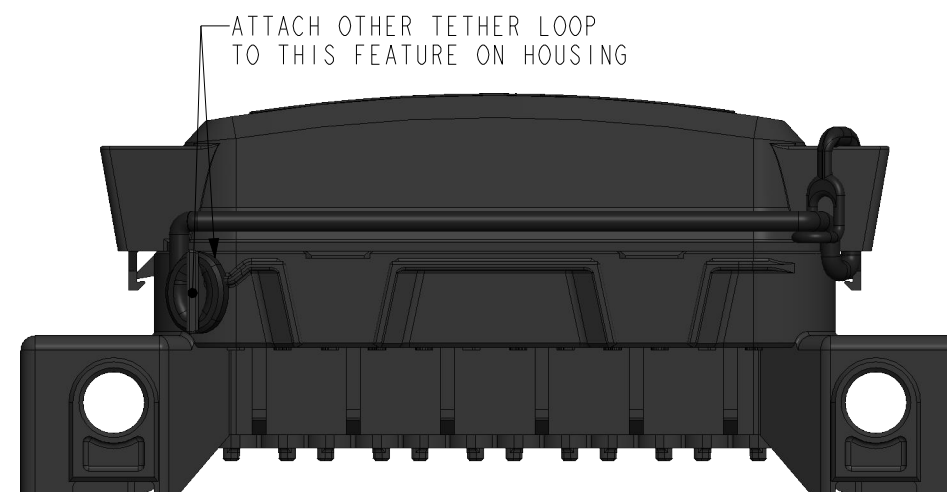
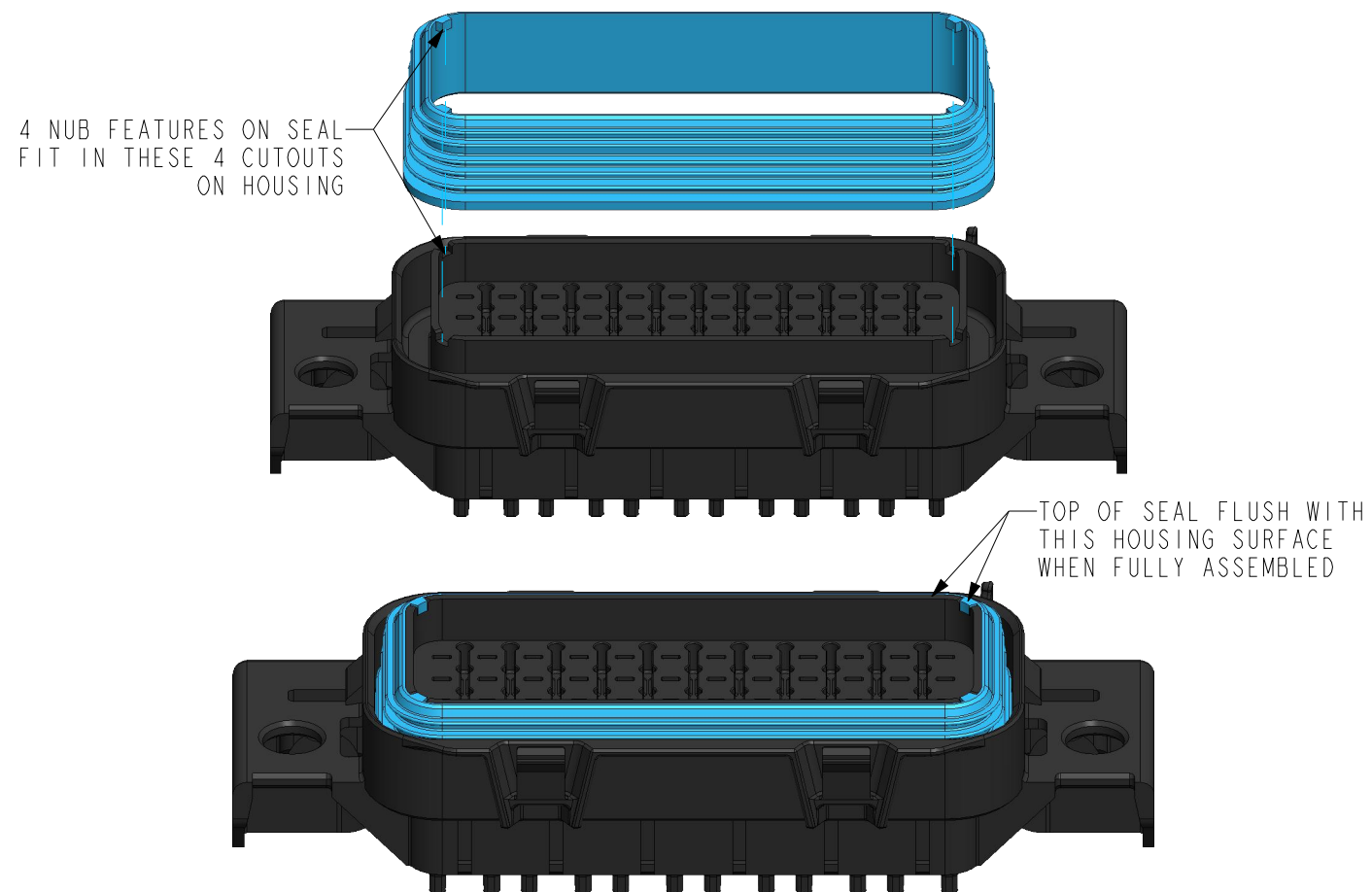
MOUNTING CLIP INSTALLATION



TETHER INSTALLATION



SEAL INSTALLATION



GEP POWER PRODUCTS		16830 Pheasant Drive Brookfield, WI 53005		
PART NO:	PDM-R SERIES (SALES)			
DESCRIPTION:	POWER DISTRIBUTION MODULE - MODEL R, SERIES DRAWING			
CUSTOMER:	STANDARD			
METRIC (MM)	REV 3	SHEET 12 OF 13	SCALE 1:1.25	SIZE B

DEPINNING INSTRUCTIONS

280 TERMINAL DEPINNING

630 TERMINAL DEPINNING

DUCON 9.5 TERMINAL DEPINNING

EXTRACTION TOOL TIP
INSERTED IN THIS AREA
OF CAVITY

EXTRACTION TOOL TIP
INSERTED IN THIS AREA
OF CAVITY

EXTRACTION TOOL TIPS
INSERTED IN THESE
AREAS OF CAVITY

TOP VIEW
(SCALE 3:1)

TOP VIEW
(SCALE 2:1)

TOP VIEW
(SCALE 2:1)

280/630 TERMINAL
DEPINNING TOOL

280/630 TERMINAL
DEPINNING TOOL

DUCON 9.5 TERMINAL
DEPINNING TOOL

TERMINAL
RETAINING
FEATURE

TERMINAL
RETAINING
FEATURE

TERMINAL
RETAINING
FEATURES

REMOVE TERMINAL
IN THIS DIRECTION

REMOVE TERMINAL
IN THIS DIRECTION

REMOVE TERMINAL
IN THIS DIRECTION

INSTALLED 280 TERMINAL
IN PDM-R4A01
SIDE VIEW
(SCALE 2:1)

EXTRACTION TOOL INSERTED
AND TERMINAL RELEASED
SIDE VIEW
(SCALE 2:1)

INSTALLED 630 TERMINAL
IN PDM-R4B01
SIDE VIEW
(SCALE 1.5:1)

EXTRACTION TOOL INSERTED
AND TERMINAL RELEASED
SIDE VIEW
(SCALE 1.5:1)

INSTALLED DUCON 9.5
TERMINAL IN PDM-R4C01
SIDE VIEW
(SCALE 1.5:1)

EXTRACTION TOOL INSERTED
AND TERMINAL RELEASED
SIDE VIEW
(SCALE 1.5:1)

LEAR MAK8 TERMINAL DEPINNING

EXTRACTION TOOL TIPS
INSERTED IN THESE
AREAS OF CAVITY

TOP VIEW
(SCALE 2:1)

LEAR MAK8 TERMINAL
DEPINNING TOOL

TERMINAL
RETAINING
FEATURES

REMOVE TERMINAL
IN THIS DIRECTION

INSTALLED LEAR MAK8
TERMINAL IN PDM-R4D01
SIDE VIEW
(SCALE 1.5:1)

EXTRACTION TOOL INSERTED
AND TERMINAL RELEASED
SIDE VIEW
(SCALE 1.5:1)

		16830 Pheasant Drive Brookfield, WI 53005		
PART NO:		PDM-R SERIES (SALES)		
DESCRIPTION:		POWER DISTRIBUTION MODULE - MODEL R, SERIES DRAWING		
CUSTOMER:		STANDARD		
METRIC (MM)	REV	SHEET	SCALE	SIZE
	3	13 OF 13	1:1	B