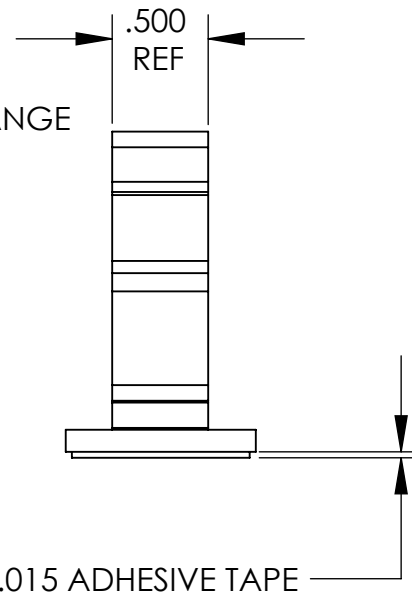
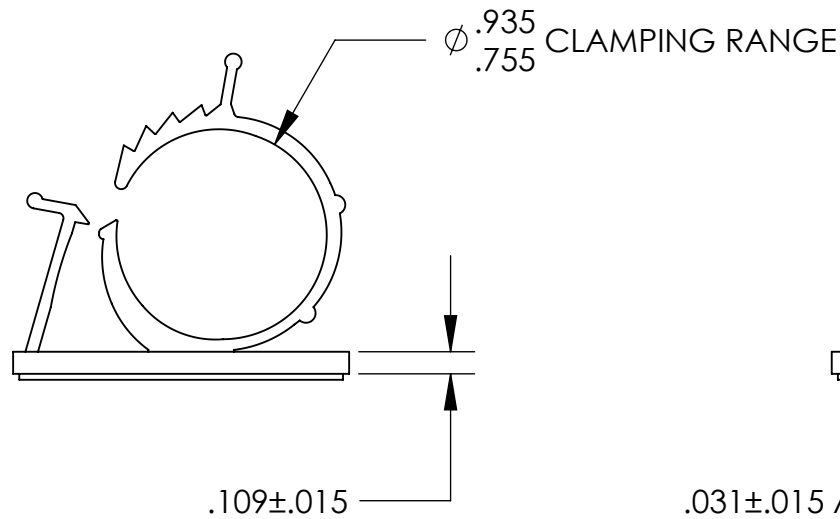
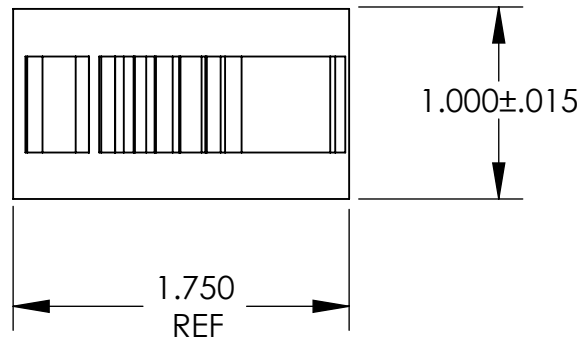


# UNCONTROLLED DOCUMENT



Uncontrolled Document  
Last Revision: 09.15.2021

### TOLERANCES UNLESS NOTED

- ±.005 ON DIMENSIONS THRU .625
- ±.008 ON DIMENSIONS .626 THRU 1.000
- ±.010 ON DIMENSIONS 1.001 THRU 1.500
- ±.015 ON DIMENSIONS LARGER THAN 1.500
- ±.015 ON FRACTIONAL DIMENSIONS

WE RESERVE THE RIGHT  
TO DISCONTINUE ITEMS,  
CHANGE SPECIFICATIONS  
OR DESIGN AT ANY TIME  
WITHOUT NOTICE AND  
WITHOUT INCURRING  
ANY OBLIGATIONS

PROPERTY OF  
**MICRO PLASTICS INC.**

CATALOG DRAWING  
ADJUSTABLE ADHESIVE WIRE CLAMP  
MICRO P/N 22AAWC830930  
DWG. # 22AAWC830930  
FILE SERVER\ENG\WEB

MATERIAL: NYLON 6/6; BLACK

DATE	SCALE 1:1	<b>SD</b>
------	--------------	-----------