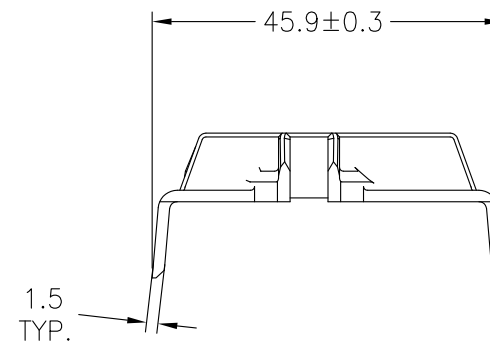
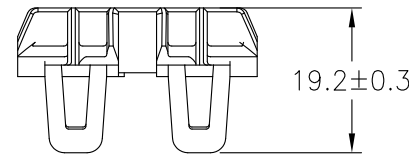
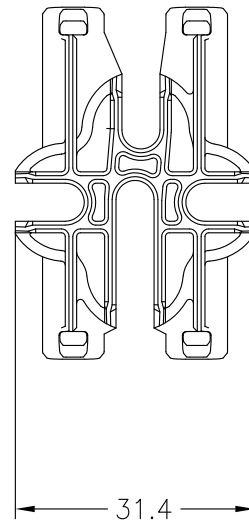


ISO VIEW FOR REF. ONLY



PART NO. PDM-TT2 (SALES)				
TITLE TPA - POWER RELAY				
CUSTOMER STANDARD				
METRIC (mm)				SCALE 1:1
REV #	REVISION	DATE	BY	APPROVE
0	INITIAL RELEASE ECN-11004	05-24 2011	RRR	
1	46.0±0.5 WAS 46.2 ECN-12025	07/03 2012	RRR	
2	UPDATED DRAWING FORMAT UPDATED DIMENSIONS ADDED TOLERANCE	07/10 2012	RRR	KS
3	UPDATED FOR PRODUCTION	02/26 2014	RRR	KS

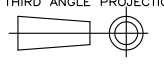
NOTES:

1. MATERIAL: POLYMER NYLON NON GLASS FILLED.
2. COLOR: LIGHT BLUE
3. COMPONENT PART# C38-1005
4. USED ON PDM-TXBXX



CONFIDENTIAL - The information contained in this document is the property of GEP Power Products. It is not for public disclosure. Possession of the information does not convey any right to loan, sell or disclose the information. Unauthorized reproduction or use of the information is prohibited. This document is to be returned to GEP Power Products upon completion of the purpose for which it is loaned or upon request.

COPYRIGHT - GEP Power Products
This is an unpublished work. The disclosure of this work is limited to a select personnel. Further dissemination or disclosure to the public is PROHIBITED. This unpublished work is protected by Federal Copyright law and all rights thereunder are reserved by GEP Power Products.

TOLERANCES UNLESS OTHERWISE SPECIFIED		THIRD ANGLE PROJECTION 
METRIC TOL	ENGLISH TOL	
1 PL DEC.=±.25	2 PL DEC.=±.01	ANGULAR TOL= ±2° FRACTION TOL= ± 1/64 IN
2 PL DEC.=±.13	3 PL DEC.=±.005	