
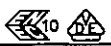
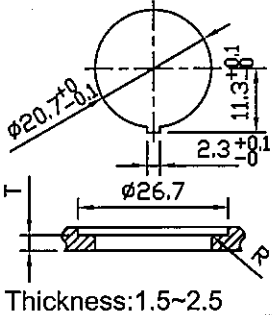
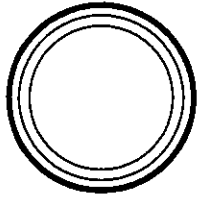
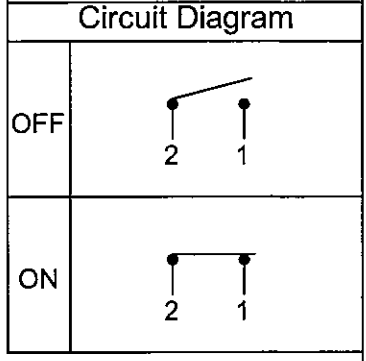
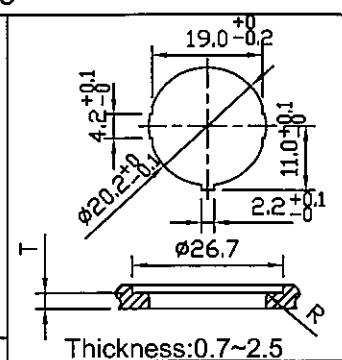
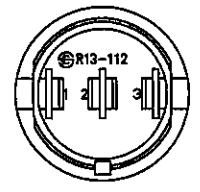
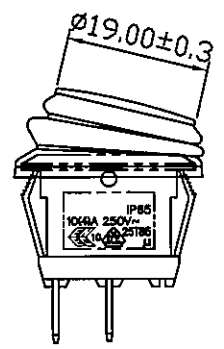
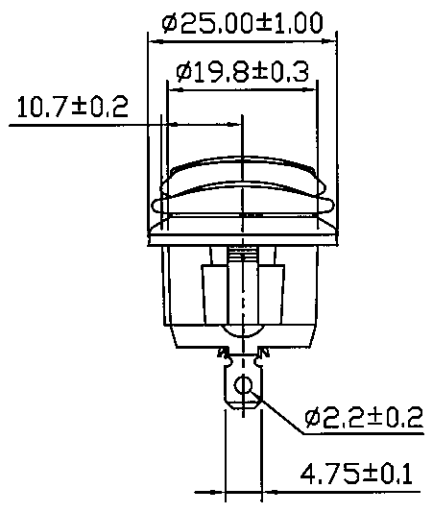
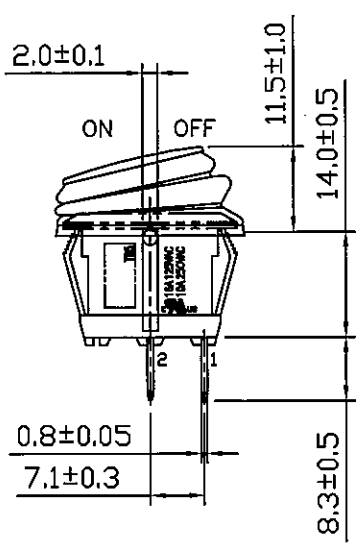


Rating	16A 125VAC, 10A 250VAC 	Mounting Hole
	10(4)A 250V~ 	
Contact Resistance	50m ohm Max.	
Insulation Resistance	DC 500V 100M ohm Min.	
Dielectric Strength	AC 1500V 1 minute	
Operation Temperature	-25°~85°	
Switch Function	2P SPST ON-OFF	

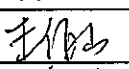



*MATERIAL:
 Frame: Black, Nylon 66 (94-V2)
 Actuator: Black, PC (94-V2)
 Waterproof rubber: Black, Silicone
 Terminals: Silver plated, Copper alloy
 Hot Stamping: None
 Waterproof: IP65



for EF001 only

C8\客戶圖面\EF001\R13-112A8-02(44115)

Date		Name		Description		NO	
Drawn	Checked	Approved	SCI BOM NO.	Model Name	ROCKER SWITCH		
曹盈芳			Customer No. 44115	Model No. R13-112A8-02	Rev.	0	
01/21/11			Unit mm	Shin Chin Industrial Co., Ltd.			