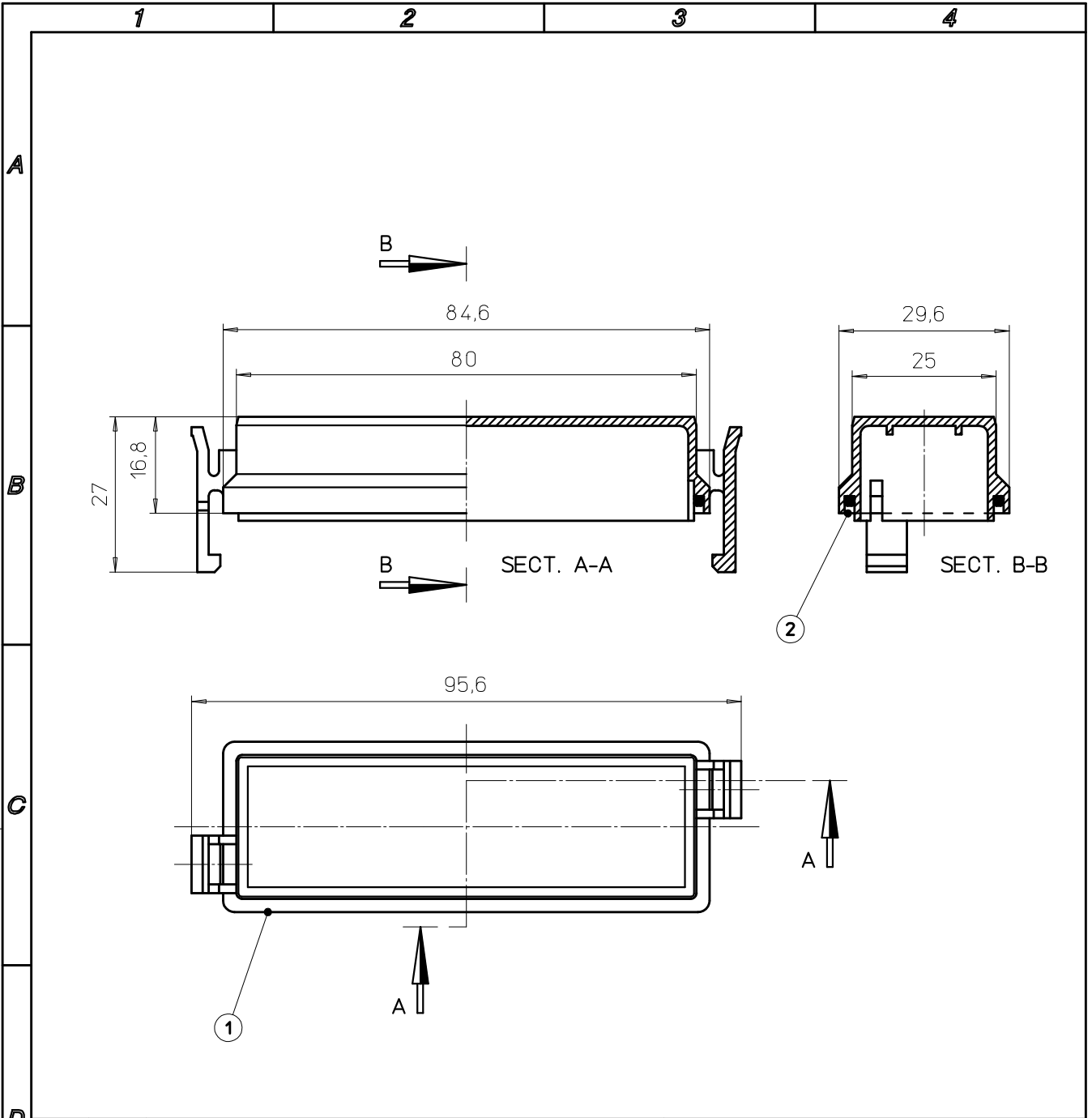

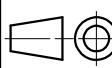


All proprietary rights reserved by MECCANOTECNICA CODOGNESE Sp.A. - This drawing shall not be reproduced, or in any way utilized, for the manufacture of the component or unit herein illustrated and must not be released to other parties, without written consent. Any infringement will be legally pursued.



| | | | | | | | | | | |
|---|---------------------|--------------|--------------------|---|--------------------|-----------------------------------|------------------------|------|-------------|-------|
| 2 | 1 | GASKET | | | | | NBR 70 - BLACK COLOR | | | |
| 1 | 1 | COVER | | | | | PA 12 V2 - TRANSPARENT | | | |
| Pos. | Q.ty | DENOMINATION | | | | MATERIAL | | | | |
|  | | MTA P/N | 03.00582 | | | Denom. COVER FUSE BOX UNIVAL 8WAY | | | | |
| auto electric systems | | Draw No. | B0-111.P01A | | | Used for | | | | |
| Rel. Level | APPROVED | | Draw for | CLIENT | | Family | FUSE HOLDERS | | MULTIWAY | |
| | Date | Name | Scale | Weight(g) | Lin.Tol.± | Ang.Tol.± | Material | | Thick. | Width |
| Draft. | 30/01/97 | I.MASSARI | 1:1 | ~11.7 | 0.5 | 1 | SEE TABLE | | | |
| Chk. | 30/01/97 | I.MASSARI | A4 |  | Dimensions in (mm) | Sheet | Coating | | | |
| App. | | | | | | | Color | | | |
| 1 | DRAWING UPDATED | | | | | | | | | |
| No. | Reason for Revision | | | | Date | 09/04/02 | | Name | S. BEDUSCHI | |