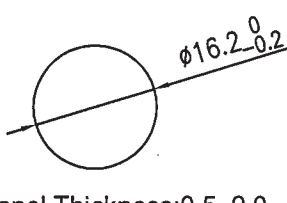
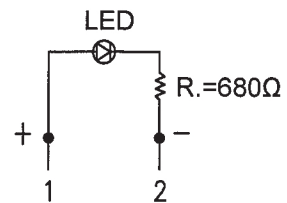
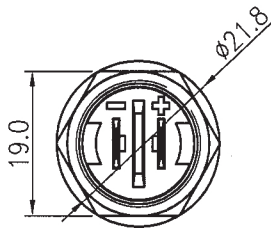
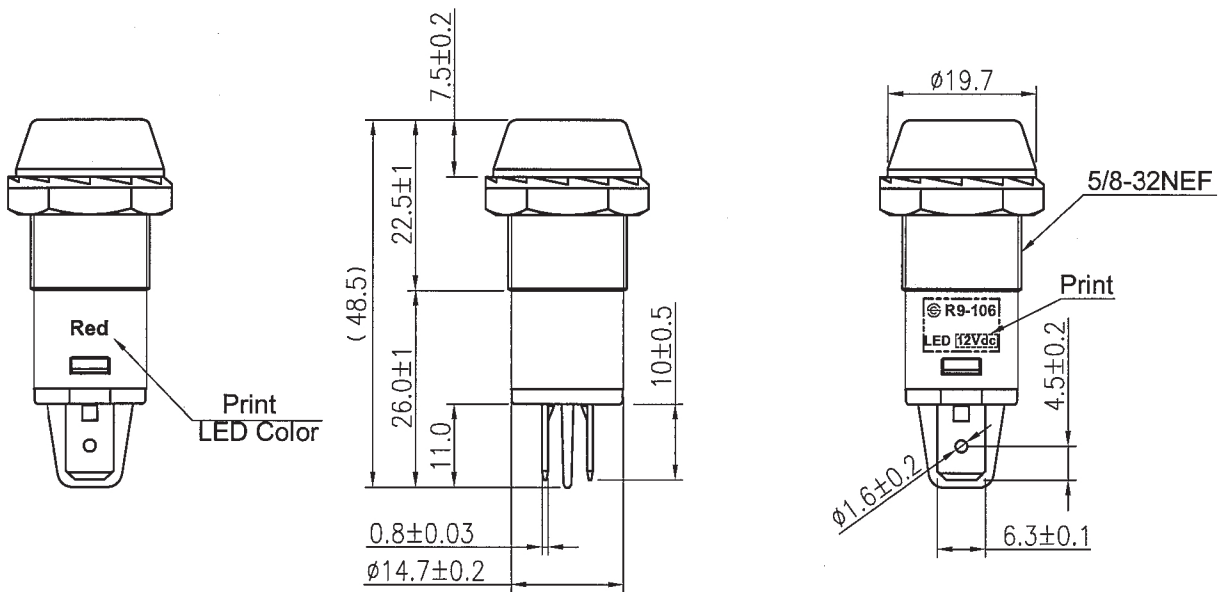
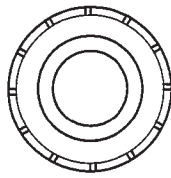


| | | | | | |
|-----------------------|-----------------------|--|------|---|-----|
| Rating | 12Vdc @20mA. | Mounting Hole | | Circuit Diagram | |
| Insulation Resistance | DC 500V 100M ohm Min. |  | |  | |
| Dielectric Strength | AC 1500V 1 minute | | | | |
| Operation Temperature | -25°C~85°C | | | | |
| LED Color | LED Lens Color | VF | IF | View Angle | Mcd |
| Red | White diffuse | 2.4V | 20mA | 110° | 250 |

Material:
 Frame & Bottom: Nylon 66 (94V-2).
 Terminal: Nickel plated brass.
 LED: $\phi 10.0$



Tolerances Unless Otherwise Specified $\pm 0.3\text{mm}$

| | | | | | | |
|----------|---------|-------------|--------------|---------|--------------------------------|-----------------|
| Date | Name | Description | | | | △ No. |
| Drawn | Checked | Approved | SCI BOM No. | 1720311 | Model Name | LED Indicator |
| 曹盈芳 | | | Customer No. | | Model No. | R9-106L1-01-BR4 |
| 06/01/16 | 6/1/16 | 6/1/16 | Unit | mm | Shin Chin Industrial Co., Ltd. | |
| | | | | | | Rev. 0 |