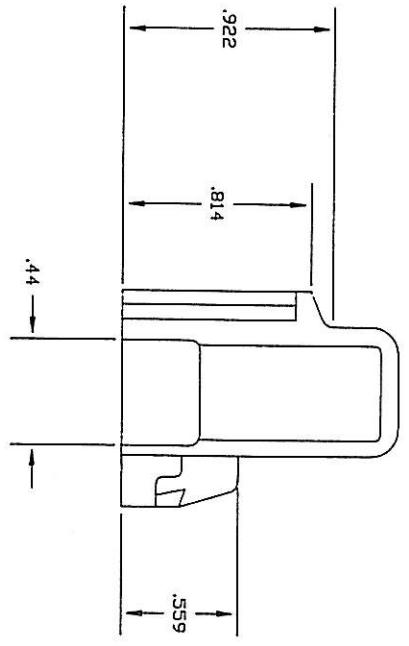
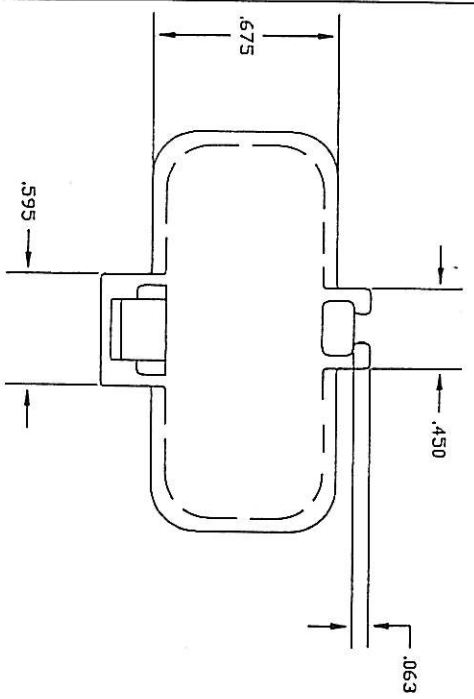
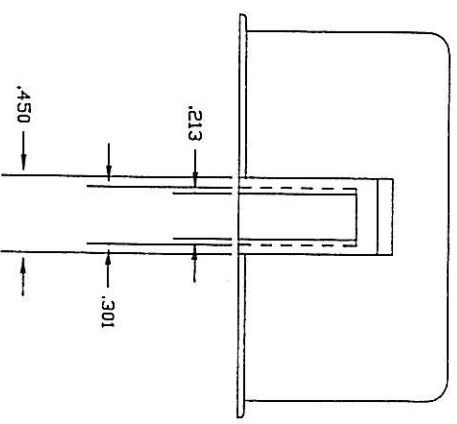
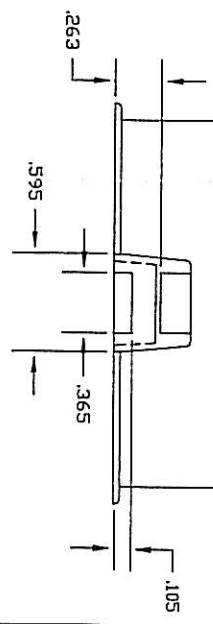
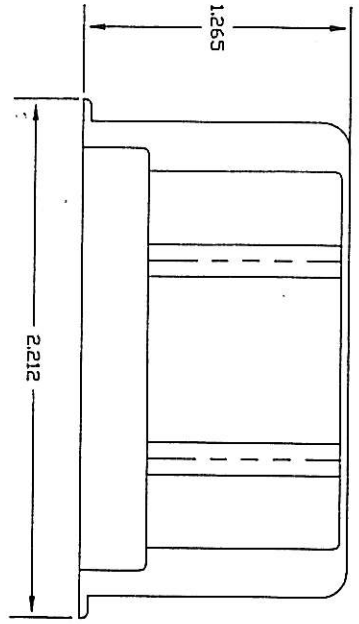


405051-A

REVISIONS	
DATE	DESCRIPTION
8/96	3 DIAM. CHANGES



MATERIAL: NYLON 6
 COLOR: BLACK
 38275