

Prevents dead batteries from add-on equipment, maximizing operational readiness and saving maintenance costs.

Delivers power to equipment after engine off or at end of shift (video downloads), automatically timing off and optionally if battery voltage is low.

Protects sensitive on-board electronics via under-voltage and over-voltage shutdown.



Ultra-Low Power Draw eliminates vehicle downtime due to dead batteries. Lowest off-state current draw (1.3 mA).



Flexible Control Options via Ignition Key, alternator voltage sense, or both.



Diagnostic Feedback via on-board multi-color LEDs



Meets Stringent OEM Standards for electrical transient self-protection



Adjustable OFF Time Delay: 15 minutes to 8 hours. 5 second test mode setting for quickly verifying installation.



Bullet-proof Construction: Sealed unit, high temperature materials allow mounting anywhere on vehicle. Integrated thermal overload protection



4 Year Industry Leading Warranty

Dip Switch Setting Options & Features

5601B		5601-24B		321		321	
6	VOLT SENSE	5	4 LV DISC	5	4 LV DISC	3	2 1
<input type="checkbox"/>	ON	<input type="checkbox"/>	12.0	<input type="checkbox"/>	24.0	<input type="checkbox"/>	60 m
<input type="checkbox"/>	OFF	<input type="checkbox"/>	11.5	<input type="checkbox"/>	23.0	<input type="checkbox"/>	30 m
		<input type="checkbox"/>	11.0	<input type="checkbox"/>	22.0	<input type="checkbox"/>	15 m
		<input type="checkbox"/>	OFF	<input type="checkbox"/>	OFF	<input type="checkbox"/>	5 s
						<input type="checkbox"/>	8 h
						<input type="checkbox"/>	4 h
						<input type="checkbox"/>	2 h
						<input type="checkbox"/>	90 m

TIME DELAY

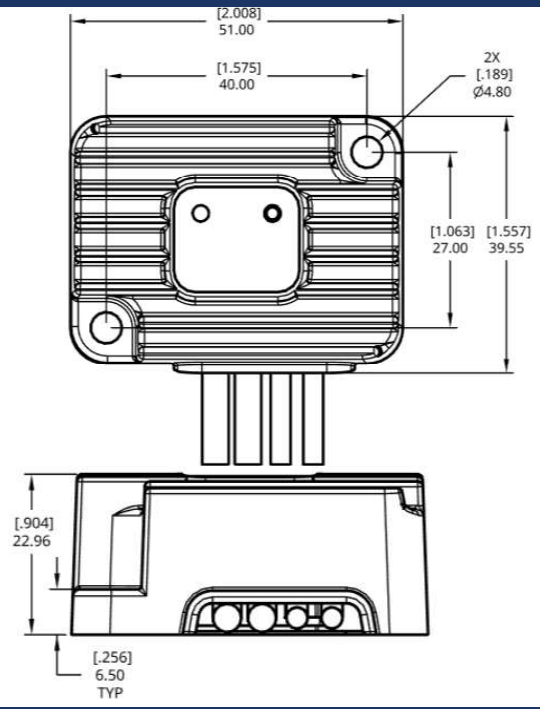
*** DISCONNECT BATTERY FROM POWER DISTRIBUTION SYSTEM BEFORE INSTALLING PRODUCT TO PREVENT ELECTRICAL SHOCK OR PRODUCT DAMAGE**
**** Use of Ignition On signal strongly recommended for all first responder installs to ensure rapid relay ON and maximize up-time in adverse situations.**

DS1-DS3: Determines delay time between Off Trigger event and Relay turning OFF, per table above. If DS1 through DS3= Off, Time Delay = 5 seconds for testing and operational verification

DS4-DS5: Determines Low Voltage Protection set-point or disables Low Voltage Protection

DS6: Determines if The voltage being sensed on the input line will act as a trigger to enable Relay ON or initiate an OFF Trigger event towards eventual relay turning OFF

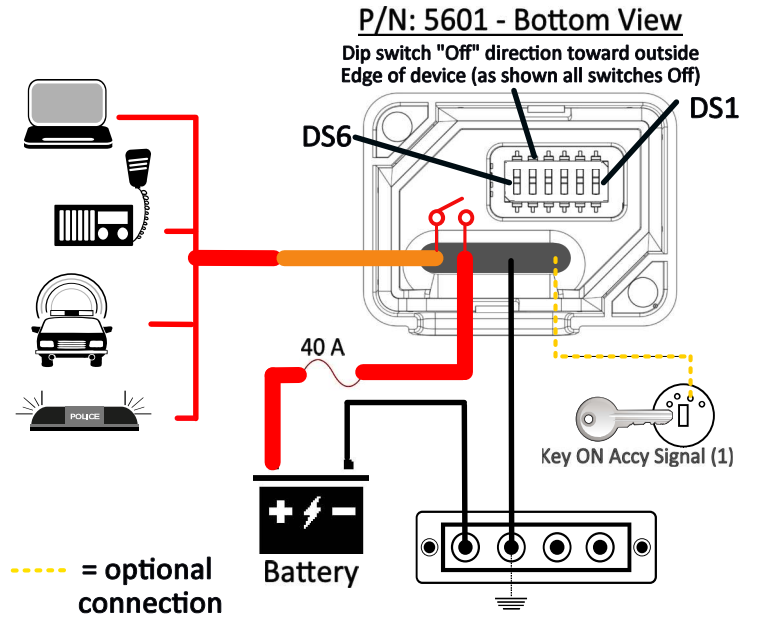
Dimensions



Methods of Operation

- Relay closes immediately if:**
- 1) Key Ignition Input > 8 Vdc or
 - 2) V_sense = On and Input Stud Voltage > ON Threshold Voltage
- Relay opens after Time Delay setting if:**
- 1) Key Ignition Input < 8 Vdc and V_sense = Off or
 - 2) Key Ignition Input < 8 Vdc and V_sense = On and Input Stud Voltage < OFF Threshold Voltage
- UV / OV Lock (Under-voltage / Over-voltage Protection):**
- 1) If ON, will turn OFF Relay if Input Stud Voltage < LV Disconnect Setting or > OV Protection Voltage for Specified Duration
 - 2) Will turn OFF relay regardless of Key ON Accy Signal

System Diagram



Specifications

	5601	5601-24
Nominal Voltage (Vdc)	12	24
Input Voltage Range (Vdc)	8.0-18.0	16.0-36.0
Continuous Current (Amps)	30	30
Installed Fuse (Ampere Rating)	40	40
ON Voltage Threshold (when used)	12.9	25.8
OFF Voltage Threshold (when used)	12.7	25.4
Low Voltage Protection (optional) (Vdc)	11.0 - 12.0	22.0-24.0
Over Voltage Protection (Vdc) (15 sec)	17.0	34.0
Operating Current Draw (mA)	15	
Operating Current (mA) Standby / Open	1.3	
Input Wire Size (Red)	12 AWG / 18 in.	
Output Wire Size (Orange)	12 AWG / 24 in.	
Ignition Wire Size (Yellow)	18 AWG / 24 in.	
Ground Wire Size (Black)	18 AWG / 24 in.	
Housing Material	Glass-Filled Polycarbonate	
Min Source Current (Yellow Ignition Wire)	10 micro-Amps	

Part Numbers

	Resell Pack	Bulk Pack
PT Series 30 Amp Time Delay Relay	5601	5601B
24V PT Series 30 Amp Time Delay Relay	5601-24	5601B-24B

* Custom configurations available including control harness wires, time delays, voltage settings, dip switch functionality, and control input functionality. Low minimum quantities and short lead time for samples or production. Contact us at support@egismobile.com for more information

Related Part Numbers

	Resell Pack	Bulk Pack
RT Series 6 Position Fuse Block	8028	8028B
RT Series 6 Pos Fuse Block w/Gnd	8025	8025B
Cable Cap Insulator, 0.55 in Dia		4214



www.egismobile.com
 360.768.1211
 Bellingham, WA U.S.A

