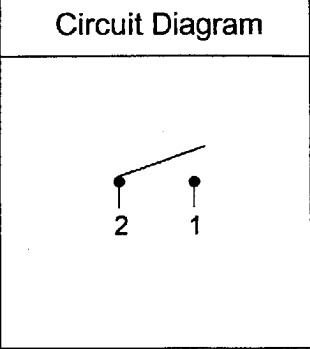
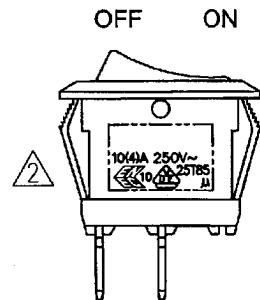
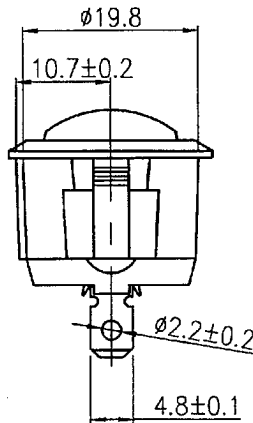
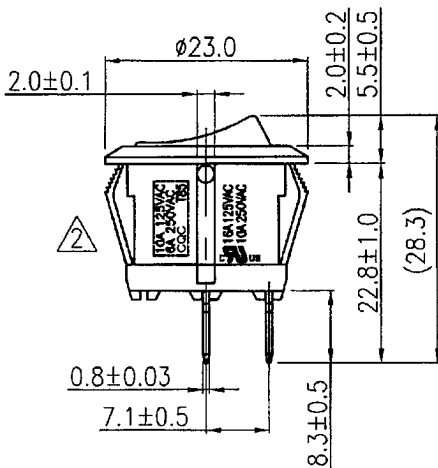
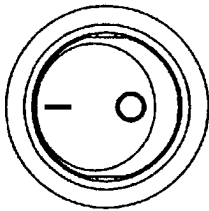


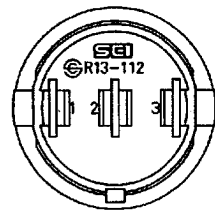
Rating	16A125VAC 10A250VAC	Mounting Hole
	10A125VAC 6A250VAC T85 CQC	
	10(4)A 250~μ 257B5	
Contact Resistance	50m ohm Max.	
Insulation Resistance	DC 500V 100M ohm Min.	
Dielectric Strength	AC 1500V 1 minute	
Operation Temperature	-25°C ~ 85°C	
Switch Function	2P SPST ON-OFF	



Material:
 Frame: Black, Nylon 66 (94-V2)
 Actuator: Black, Nylon 66 (94-V2)
 Terminals: Silver plated, Copper alloy
 Hot stamping: White ,0 -



發行
2013.8.27
研發部



Tolerances ±0.3 Unless Otherwise Specified

8/5/13	周傑輝	依實物更新安規			△		
09/24/09	曹盈芳	更正Rating 原10A 125V AC -> 16A 125V AC			△		
Date	Name	Description			No.		
Drawn	Checked	Approved	SCI BOM No.	1820861	Model Name	ROCKER SWITCH	
周傑輝			Customer No.		Model No.	R13-112A-02	
8/5/13	8/7-13	8/8-13	Unit	mm	Shin Chin Industrial Co., Ltd.		
						Rev.	.2