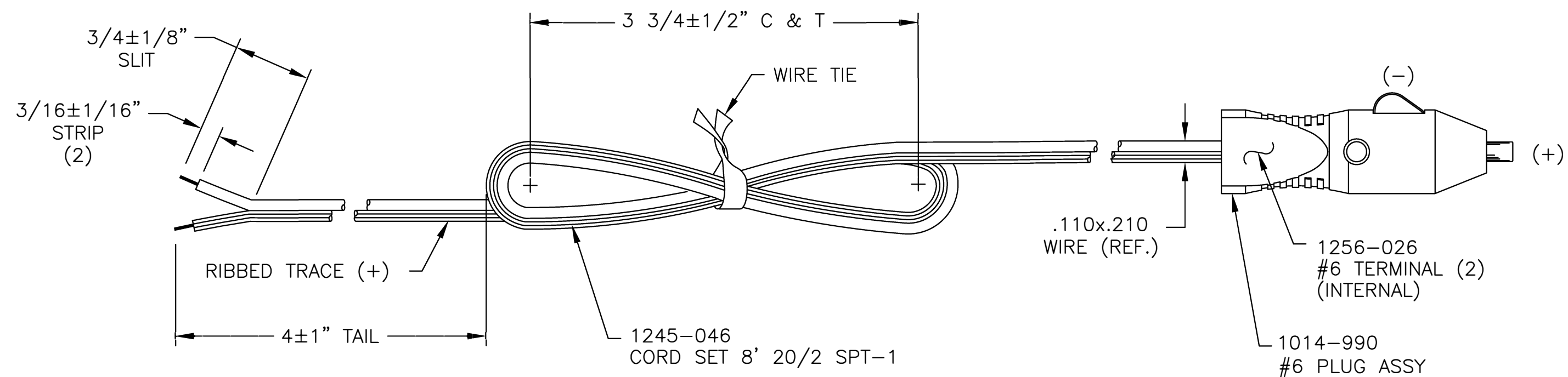


<b>RELEASED</b>				<b>FOR PRODUCTION USE</b>	
REV.	BY	DATE	REVISION	REQUESTED BY:	



MATERIAL NOTE: ALL MATERIALS RoHS COMPLIANT PER EUROPEAN DIRECTIVE 2002/95/EC.

**PROPRIETARY AND CONFIDENTIAL**

THIS UNPUBLISHED DOCUMENT IS THE PROPERTY OF SAFCO LLC AND IS MADE AVAILABLE FOR EVALUATION AND TESTING PURPOSES ONLY. IT MUST NOT BE REPRODUCED, COPIED OR SHOWN TO OTHERS WITHOUT THE EXPRESSED WRITTEN CONSENT OF SAFCO LLC.

NEXT ASS'Y.:  
WHERE USED:

TOLERANCES: UNLESS OTHERWISE SPECIFIED  
 DECIMAL:  
 .X ± .015in. [.38mm]  
 .XX ± .010in. [.25mm]  
 .XXX ± .005in. [.13mm]  
 FRACTIONAL: ± 1/64in.  
 ANGULAR: ± 1.0°  
 ALL DIMENSIONS IN INCHES UNLESS OTHERWISE SPECIFIED  
 ALL DIMENSIONS SHOWN IN BRACKETS [ ] ARE IN MILLIMETERS  
 DO NOT SCALE PRINT

<b>SAFCO</b>		
SCALE: 1 : 1	DESIGNED BY:	ENGINEER APPROVAL:
DRAWN BY: GDL	CHECKED BY:	RELEASED BY: MEB
DATE: 2-5-09	DESIGN APPROVAL:	RELEASE DATE: 2-12-09
MATERIAL:		
TITLE: #6 PLUG W/8' CORD SET		DRAWING No. 1185-001
		REV. -