

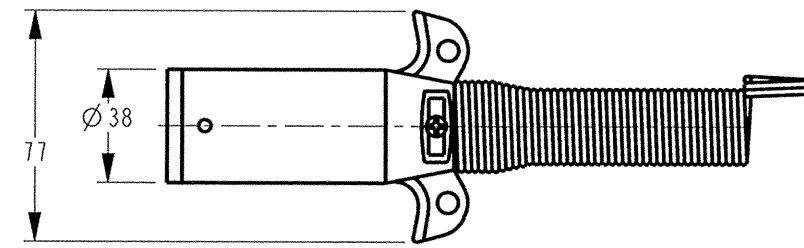
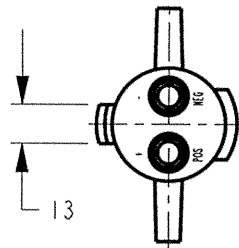
POLLAK

SWITCHING PRODUCTS DIVISION
300 DAN ROAD, CANTON MA, 02021

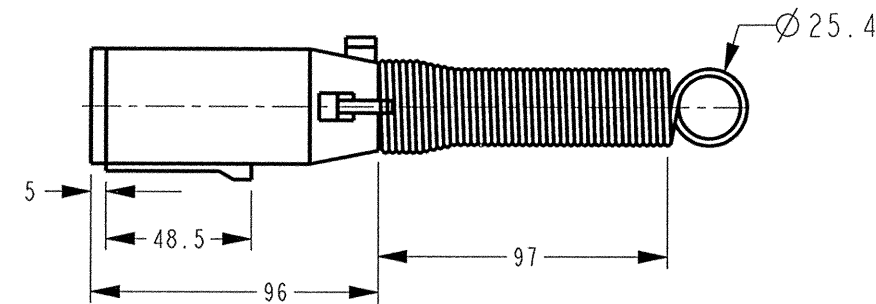
DRAWING NUMBER
12-800E

REV
A

ECN	REVISIONS - AUTHORIZED - CHANGED - DATE		
K0614	A	RELEASE TO PRODUCTION	9/2/09



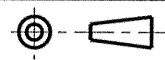
ITEM#	NAME	MATERIAL
1	PLUG SHELL	ZINC
2	SET SCREW	IRON
3	SPRING GUARD	STEEL
4	TERMINALS	BRASS
5	TERMINAL BASE	A.B.S
6	BASE SET SCREW	BRASS



				UNIT	m/m	Q'TY	1	ITEM	SY-250P
				SCALE	1:2			TITLE	2 Pole Plug W/Spring
				CHECKED BY	ROBIN	DATE	2008.09.24	MATERIAL	Zinc Die Cast
				DRAWN BY	ROBIN	DATE	2008.09.24	MEMO	
1	REV A	ROBIN	2009.07.23	Song Yers Industrial Co., Ltd					
NO	REVISION LEVELS	CHANGE BY	DATE						

NOTE: PARTS AND COMPONENTS MUST COMPLY WITH POLLAK SQA POLICY

WHERE USED



3rd ANGLE PROJECTION
UNSPECIFIED TOLERANCES

XX : ±
XXX : ±
XXX : ±
ANGLE : ±

MATERIAL

DESIGNED BY

DRAWN BY

CHECKED BY

APPROVED BY

FILE NAME

12-800E_PLUG

SCALE

DRAWING SCALE

DATE

02-Sep-09

DRAWING TITLE

2 POLE PLUG W/SPRING

DRAWING NO.

12-800E

REV

A