

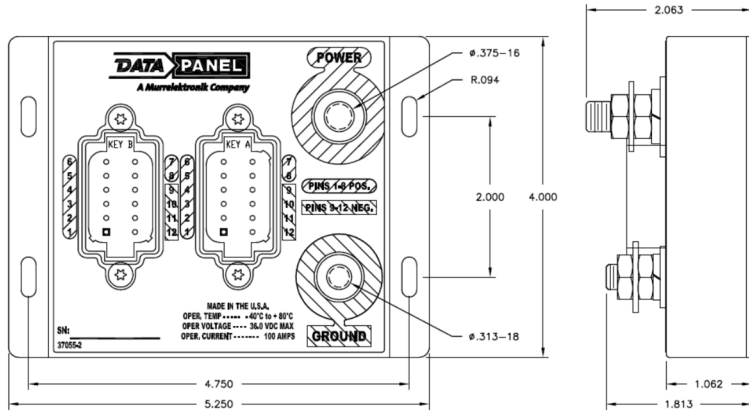
Data Sheet

DP-37055-2

PS-2


**Power Splitter &
Distribution Device,
2 Connector**

**36 Vdc Max
IP67**

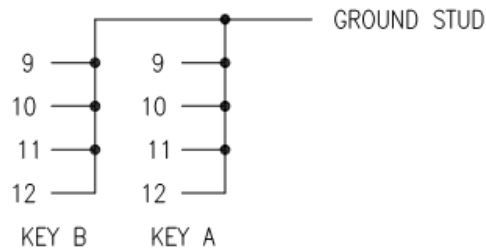
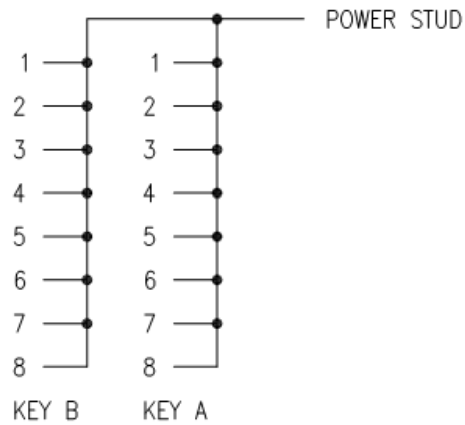


Technical Data

Housing	Aluminum, black anodized
Dimensions (l x W x h)	5.25 x 4.00 x 2.06 inch
Weight	1.3 lbs (0.6 kg)
Installation	Screw connection 4 x #8
Torque specification	Power Stud (3/8-16): dry torque 154 in-lbs. Ground Stud (5/16-18): dry torque 86 in-lbs.
Mating Connectors and Accessories Deutsch® Key A connector Deutsch® Key B connector Deutsch® size 16 Socket Deutsch® Wedgelock Deutsch® Seal Plug	DT06-12SA DT06-12SB 0462-201-16141 (16 – 20 AWG) 1062-16-0122 (14 – 18 AWG) W12S 114017
Operating Voltage	36 V DC max.
Input Current	100 A max.
Output Current	13.5 A continuous per pin max.
Total Inputs	2 – 1 Main Power 3/8" Stud 1 Main Ground 5/16" Stud
Total Outputs	24 Pins (16 power + 8 ground)
Operating Temperature	-40...80 °C
Storage Temperature	-40...85 °C
IP67	User to protect input stud(s) Connector seal plugs required for unused pins


				Date	Name	Data Sheet PS-2 Power Splitter & Distribution Device 2 Connector
			Originator	01.30.20	FSa	
			Approved	01.30.20	FSa	
c	DCN F226	03.16.20	FSa	 A Murrelektronik Company		Art. No.: DP-37055-2
b	DCN F175	02.03.20	FSa			
Rev	Description	Date	Name			
a	initial release	01.30.20	FSa	DP-37055-2_db_e_c.docx		Sheet 1 of 2

Connector Wire Diagram



Notes:

1. All power to vehicle must be turned off prior installation of the device.
2. The device should only be installed by a trained electrician following standard best practices
3. To maintain IP rating, sealing plugs need to be installed on all unpopulated positions on mating connectors.

					Date	Name	Data Sheet PS-2 Power Splitter & Distribution Device 2 Connector	
				Originator	01.30.20	FSa		
				Approved	01.30.20	FSa		
c	DCN F226	03.16.20	FSa	 A Murrelektronik Company			Sheet	
b	DCN F175	02.03.20	FSa	Art. No.: DP-37055-2			2 of 2	
Rev	Description	Date	Name					
a	initial release	01.30.20	FSa				DP-37055-2_db_e_c.docx	