

Dual USB Chargers

Intelligent device recognition allows rapid charging of phones, tablets, or other mobile devices on the go.

48V Dual USB 4.0A Chargers (1038 & 1046)

- Ideal for golf carts and other 48V systems
- Spring-hinged cover keeps debris and moisture out
- Charges at the speed required by specific devices
- Internal filtering for reduced electronic interference
- Potted or conformal coated circuit board for the harsh marine environment
- 1038 Mounts in existing contura switch aperture
- 1046 Mounts in common 1-1/8" diameter hole



1038



1046

12V/24V Dual USB 4.8A Chargers (1039 & 1045)

- Charges at the speed required by specific devices
- Internal filtering for reduced electronic interference
- Over temperature protection
- Conformal coated circuit board for the harsh marine environment
- Protective dust cap keeps debris and moisture out
- 1039 Mounts in existing contura switch aperture
- 1045 Mounts in common 1-1/8" diameter hole



1039



1045

Related Products



12V DC Plug



12V DC Sockets



2.1A Dual USB Chargers



12V DC Socket and Dual USB Charger 360 Panel



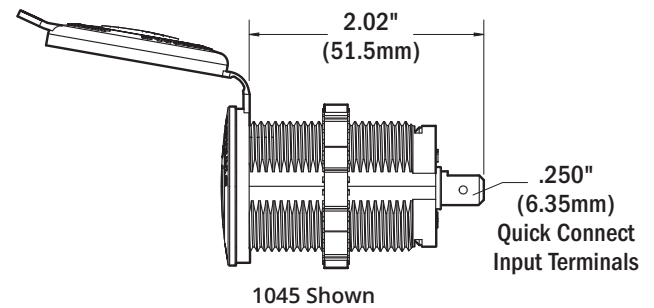
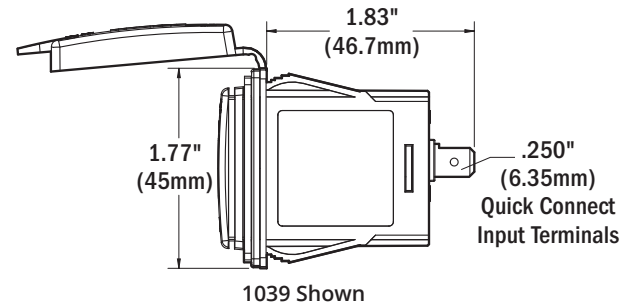
Water-Resistant Accessory Panels

Specs

48V Dual USB 4A Chargers	1038 & 1046
Maximum Output Current	4A DC (total)
Input Voltage	32V—64V DC
Output Voltage	5V DC ±5%
Port Configuration	Intelligent Device Recognition
Parasitic Current Draw	10mA
Thermal Overload Protection	Yes
Short Circuit Protection	Yes
Reverse Polarity Protection	Yes
USB	2.0, Type A
Cutout Dimensions	1038 - 1.45" × 0.83" (36.83 mm × 21.08 mm) 1046 - 1-1/8" (29 mm) diameter hole
Regulatory	RoHS

12/24V Dual USB 4.8A Chargers	1039 & 1045
Maximum Output Current	4.8A DC (total)
Output Voltage	5V DC ±5%
Port Configuration	Intelligent Device Recognition
Parasitic Current Draw	1mA
Thermal Overload Protection	Yes
Short Circuit Protection	Yes
Reverse Polarity Protection	Yes
USB	2.0, Type A
Cutout Dimensions	1039 - 1.45" × 0.83" (36.83 mm × 21.08 mm) 1045 - 1-1/8" (29 mm) diameter hole
Regulatory	RoHS, CE Certified

Part #	Description	Mounting Style
1038	48V Dual USB 4.0A Charger	Contura Switch
1046	48V Dual USB 4.0A Charger	Socket
1039	12/24V Dual USB 4.8A Charger	Contura Switch
1045	12/24V Dual USB 4.8A Charger	Socket
1035	Spring-hinged Cover for 1038 & 1039	--
1036	Spring-hinged Cover for 1045 & 1046	--



Specifications subject to change. See blueseasystems.com for current information.