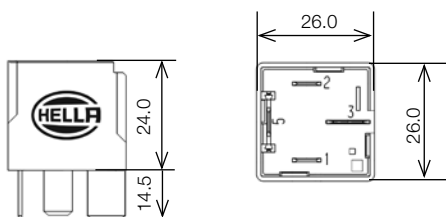


Part No.

007793031 - Single - Min Order Qty: 1
007793037 - Bulk - Min Order Qty: 360



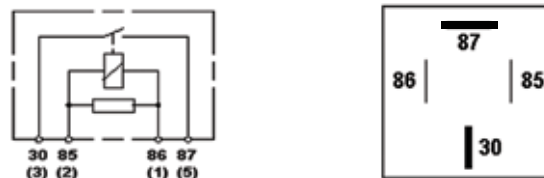
Dimension Drawing



Mini ISO Power Relay

- 12 Volt
- SPST / Form A
- Resistor Coil Suppression
- 50 Amp Continuous
- Dust Cover

Diagram



Accessories

- H84703001** RELAY SOCKET 50A 4 TERM, Qty: 1
- H84703007** RELAY SOCKET 50A 4 TERM, Qty: 50
- U84703007** RELAY SOCKET 50A 4 TERM, Qty: 2,100
- H84991151** TERMINAL 9.5MM x 1.2MM W/ CATCH 4.0-6.0mm2, Qty: 50
- 172615007** TERMINAL 9.5MM x 1.2MM W/ CATCH 4.0-6.0mm2, Qty: 2,000 /Spool
- H84991141** TERMINAL 9.5MM x 1.2MM W/ CATCH 6.0-10.0mm2, Qty: 50
- 172616007** TERMINAL 9.5MM x 1.2MM W/ CATCH 6.0-10.0mm2, Qty: 1,800 /Spool
- 701235033** TERMINAL 6.3MM x 0.8MM W/ CATCH, Qty: 100
- 701235034** TERMINAL 6.3MM x 0.8MM W/ CATCH, Qty: 1,500

Technical Data

*All measurements are in Millimeters.

Nominal Voltage	12V	Operating / Releasing Time	≤ 10 ms / ≤ 10 ms
Rated Continuous Load	N/O 50A at 85°C	Dielectric Strength	≥ 1,000 VDC
Ambient Temperature	-40°C...+125°C	Max. Inrush Load	200A lamp / 150A motor
Contact Form	1 Form A / SPST N/O	Resistive Load / Switching Cycles	50 A, 100,000 cycles
Contact Material	AgSnO2	Inductive load / Switching Cycles	150A inrush / 50A steady, 150,000 cycles
Operating / Drop out Voltage	≤ 8.0V / ≥ 1.3V	Lamp Load (capacitive) / Switching Cycles	200A inrush / 40A steady, 150,000 cycles
Max.Coil Voltage	18V	Vibration	20 – 200 Hz, 50 m/s ² , 6 h per axis
Coil Resistance	100 Ohm ± 10% (excluding suppressive component)	Mechanical Shock	500 m/s ² , 11 ms, period: 1 min, 1,000 times
Suppression	Resistor, 680 Ohm	IP Rating	IP54 DIN IEC 60 529
Mechanical Cycles	10,000,000	Terminals	85, 86: ISO 8092 6.3 x 0.8, CuZn, gal Sn 30, 87: ISO 8092 9.5 x 1.2, E-Cu, gal Sn

Notes

Cross Reference

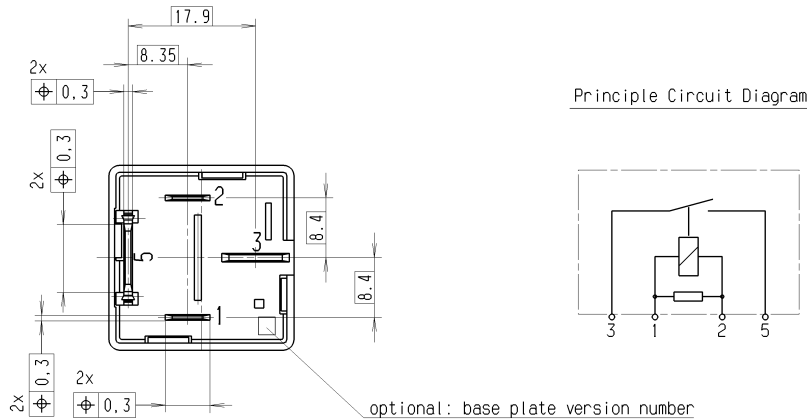
Bosch

- 0 986 332 001
- 0 986 332 002
- 0 986 332 023
- 0 986 332 050

Tyco

VF7-11F11-S01





1.2: Blade Terminals ISO 8092 6.3x0.8 - CuZn tin plated
 3.5: Blade Terminals ISO 8092 9.5x1.2 - E-Cu tin plated
 Housing: PBT-GF20, colour: black
 Base plate: PA6.6 GF9 MF28 black
 Inscription molded in recessed
 Contact material: AgSnO₂ (18)
 Description of manufacturing date code
 Date/Lot/Assembly line code X XXX XX (approx. 3mm high)
 1.Digit.: Year
 2.-4.Digit.: Day
 5.Digit.: Shift
 6.Digit.: Assembly line
 Footprint and terminal location according to ISO 7588-1
 Cutting edges may be free from plating

Umweltnorm Hella-N20100-02 ist zu beachten
 Hella Environmental Standard No 20100-02 to be considered

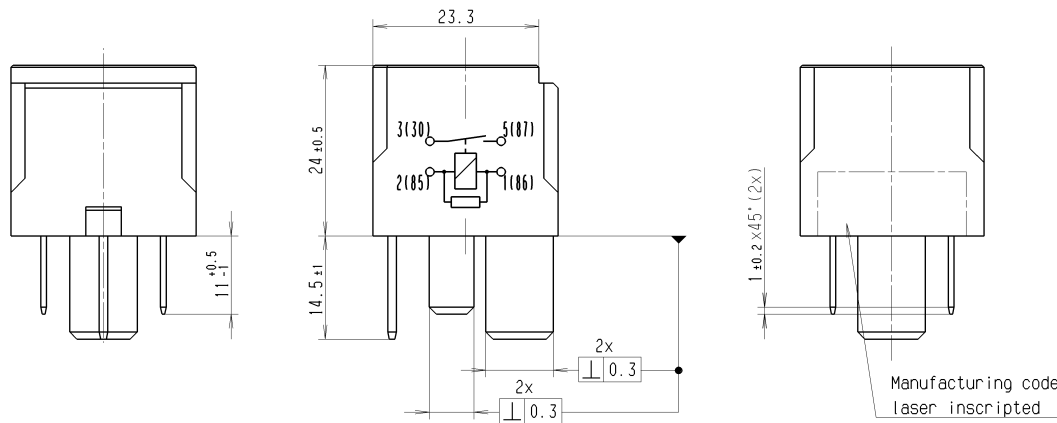
A-Index	Rev.Ind	was	Blatt	Page	Feld	Zone	Aenderung	Rev. Description	Aender.-Nr.	Datum	K-Gr./Name
X	19		1	F1				Optional view added (Made in USA)	143894	23-Oct-2008	GE-PC133/Blanke
X	18	14	1	B10				Contact material was AgNi 90/10 (Correction)	142301	27-Aug-2008	GE-PC133/Blanke

Pruefvorschrift Test Specification	Oberflaeche Surface		
	Werkstoff Material		
	Allgemeintoleranz General Tolerance	ISO 2768-m	Gewicht Weight
			34,740 G

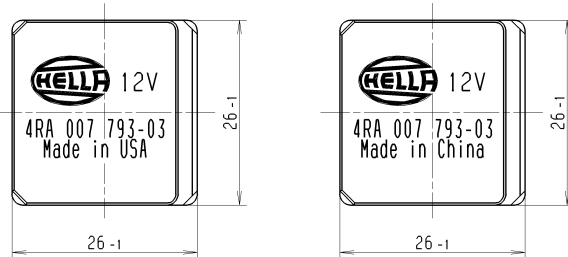
Dieses Dokument ist vertraulich zu behandeln. Die Weitergabe sowie Vervielfaeltigung, Verwertung und Mitteilung seines Inhalts ist nur mit unserer ausdruecklichen Genehmigung gestattet. Alle Rechte vorbehalten, insbesondere im Fall der Schutzrechtsanmeldung.
 This document has to be treated confidentially. Its contents are not to be passed on, duplicated, exploited or disclosed without our express permission. All rights reserved, especially the right to apply for protective rights.

Masstab Scale	2:1	Fachverantwortl. Respon. f. content	Freigegeben Released
Projektionsmethode Projection	Projection	Datum Date	2008-08-27
		Name	BLANKE
		Konstr.-Gr. Doper. test.	GE-PC133

Benennung ARBEITSSSTROMRELAIS 12V	Ordnungs-Nr. Ordering-No.	Material-Nr. Material-No.	Revision
	4RA	007793-03	AA
Title NORMALLY OPEN RELAY 12V	Dokument-Nr. Document-No.	10000238556	Version 02
Ersatz fuer Replaces	same No. dated 15-Aug-2003		
Erstverwendung First Project No.:			
Blatt: Page:	001	Blattzahl: Of	001
System-ID:	10000238556, D11, 001, 02 2008-10-23 10:19		
	Status:	30 freigegeben 30 released	
		Serie Series	



(19) Optional view



Optional view

