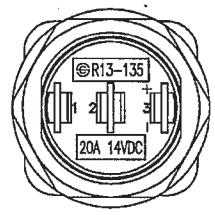
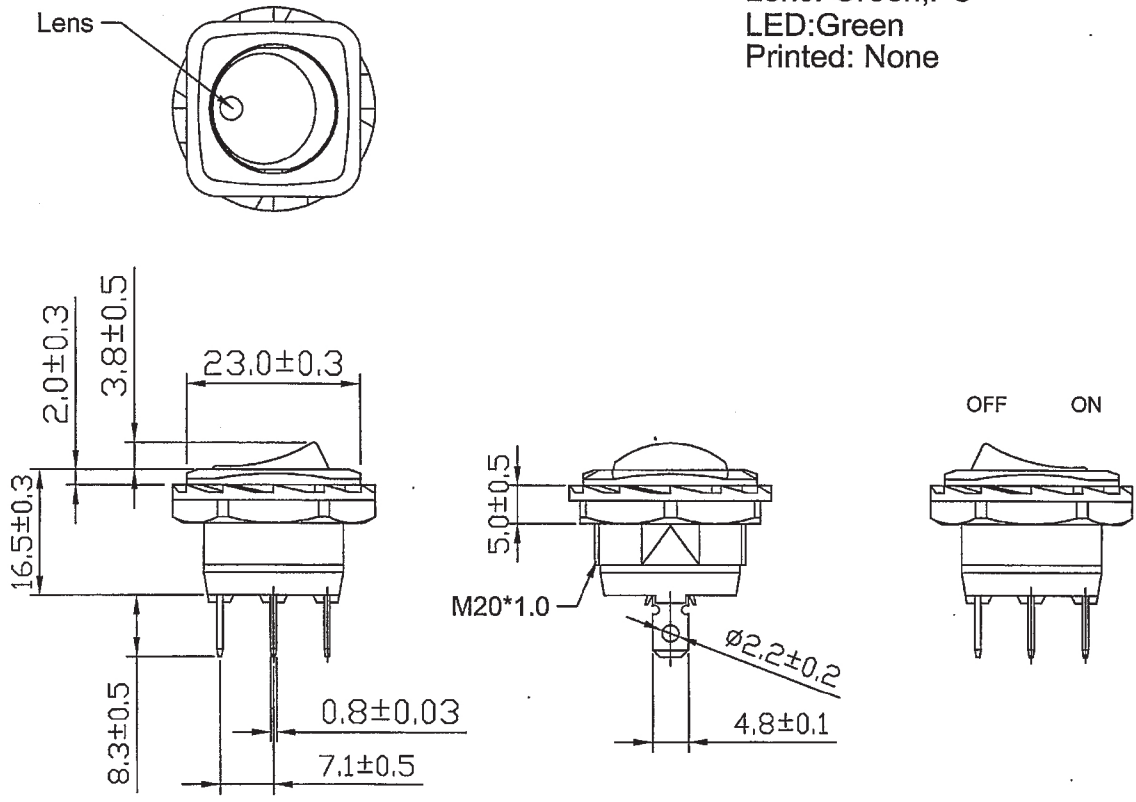


Rating	20A 14VDC		Circuit Diagram	
Contact Resistance	50m ohm Max.		OFF	
Insulation Resistance	DC 500V 100M ohm Min.		ON	
Dielectric Strength	AC 1500V 1 minute			
Operation Temperature	-25°C~85°C			
Switch Function	3P SPST ON-OFF (LED dependent)			

* Material
 Frame: Black,Nylon#66+33%GF
 Actuator: Black,Nylon#66
 Lens: Green,PC
 LED:Green
 Printed: None



						△
						△
Date	Name	Description				NO
Drawn	Checked	Approved	SCI BOM No.	1821435	Model Name	ROCKER SWITCH
周傑輝			Customer No.		Model No.	R13-135B2-02
5/24/16	5/25-16	5/25-16	Unit	mm	Shin Chin Industrial Co., Ltd.	
						Rev. 0