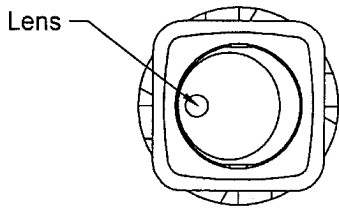


Rating	20A 14VDC		Circuit Diagram	
Contact Resistance	50m ohm Max.			
Insulation Resistance	DC 500V 100M ohm Min.			
Dielectric Strength	AC 1500V 1 minute			
Operation Temperature	-20°C~85°C			
Switch Function	3P SPST ON-OFF (LED dependent)			



* Material

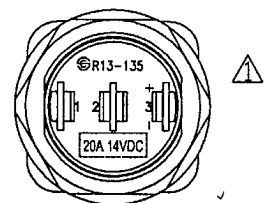
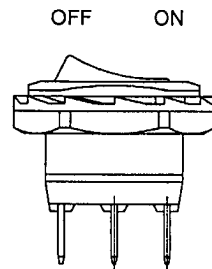
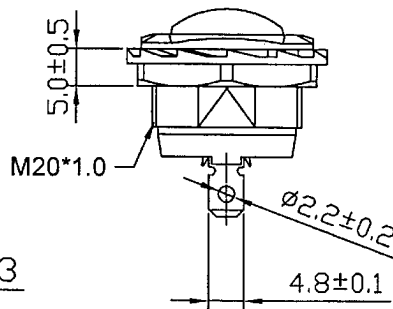
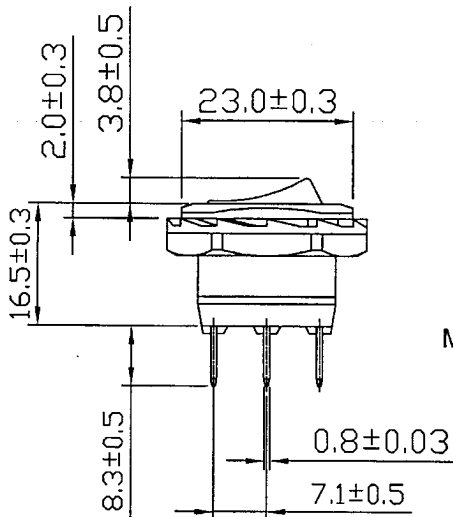
Frame: Black,Nylon#66+33%GF

Actuator: Black,Nylon#66

Lens: Red,PC

LED: Red

Printed: None



9/18/14	周傑輝	應營業要求,本體rating由10A 28VDC,6A 14VT修改為20A 14VDC				△
Date	Name	Description				NO
Drawn	Checked	Approved	SCI BOM No.	1821464	Model Name	ROCKER SWITCH
周傑輝			Customer No.		Model No.	R13-135B2-02
9/18/14	9/20-14	9/20-14	Unit	mm	Shin Chin Industrial Co., Ltd.	
						Rev. 1