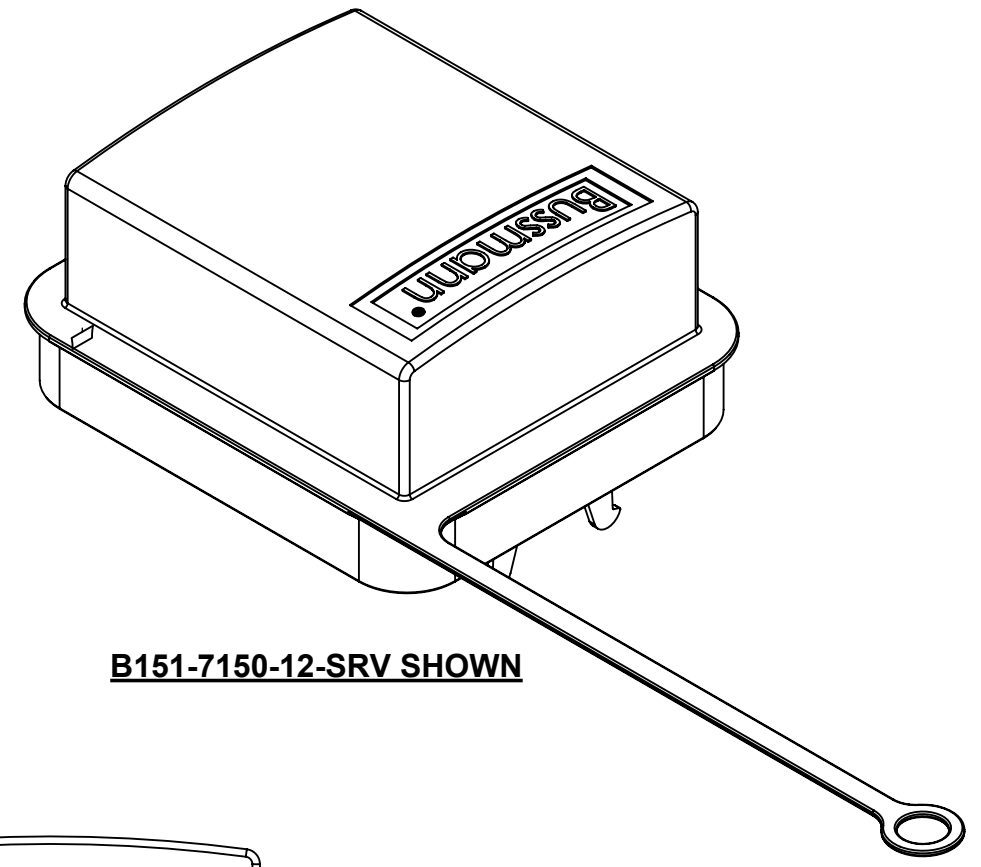
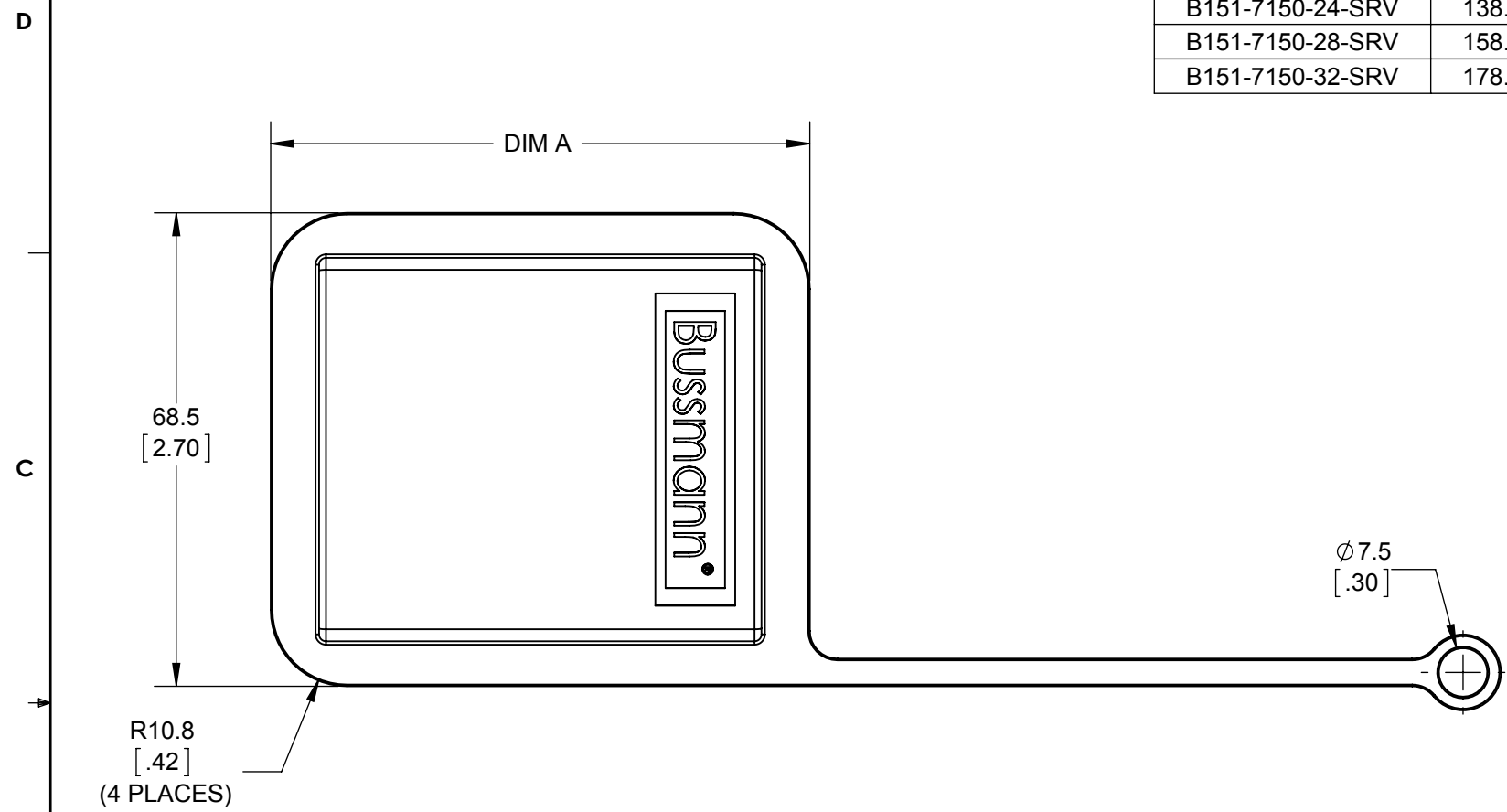


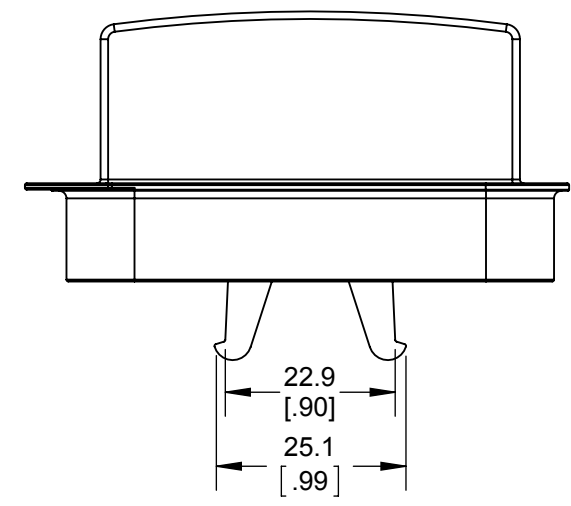
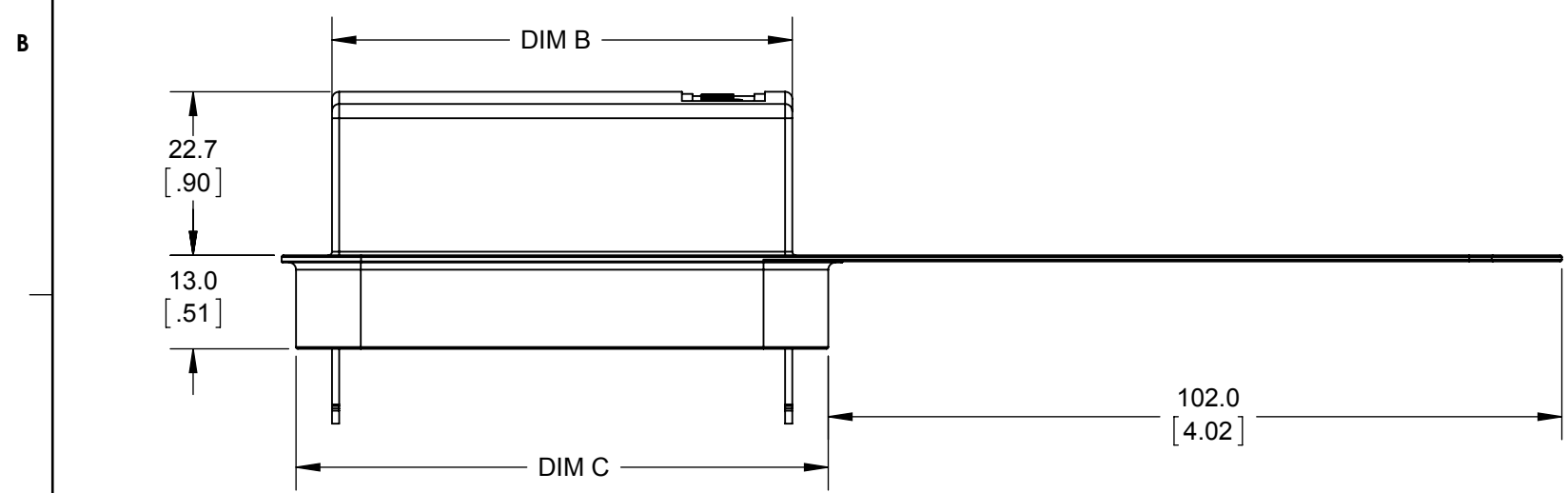
**EATON CORPORATION - CONFIDENTIAL AND PROPRIETARY**  
 NOTICE TO PERSONS RECEIVING THIS DOCUMENT AND/OR TECHNICAL INFORMATION  
 THIS DOCUMENT, INCLUDING THE DRAWING AND INFORMATION CONTAINED THEREON, IS CONFIDENTIAL AND IS THE EXCLUSIVE PROPERTY OF EATON CORPORATION, AND IS MERELY ON LOAN AND SUBJECT TO RECALL BY EATON AT ANY TIME, BY TAKING POSSESSION OF THIS DOCUMENT. THE RECIPIENT ACKNOWLEDGES AND AGREES THAT THIS DOCUMENT CANNOT BE USED IN ANY MANNER ADVERSE TO THE INTERESTS OF EATON AND THAT NO PORTION OF THIS DOCUMENT MAY BE COPIED OR OTHERWISE REPRODUCED WITHOUT THE PRIOR WRITTEN CONSENT OF EATON. IN THE CASE OF CONFLICTING CONTRACTUAL PROVISIONS, THIS NOTICE SHALL GOVERN THE STATUS OF THIS DOCUMENT.  
 ©2016 Eaton Corporation, All Rights Reserved.

PART #	DIM A	DIM B	DIM C
B151-7150-08-SRV	58.0	44.0	54.0
B151-7150-12-SRV	78.0	64.0	74.0
B151-7150-16-SRV	98.0	84.0	94.0
B151-7150-20-SRV	118.0	104.0	114.0
B151-7150-24-SRV	138.0	124.0	134.0
B151-7150-28-SRV	158.0	144.0	154.0
B151-7150-32-SRV	178.0	164.0	174.0

REVISIONS				
REV.	DESCRIPTION	ECO NO	DATE	BY
A	INITIAL RELEASED	111676	2016/11/09	A.L



**B151-7150-12-SRV SHOWN**



CAPSULE AROUND DIMENSION INDICATES INCOMING INSPECTION REQUIRED  
 INDICATES CRITICAL CHARACTERISTIC (MUST MEET CPK REQUIREMENTS)  
**IN ACCORDANCE WITH CRP-SS-01-01-03 SUPPLIER MANUAL**

**DRAWING IN ACCORDANCE WITH**  
 ASME Y14.100 - 2013  
 ASME Y14.1M - 2012  
 [ASME Y14.1 - 2012]  
 ASME Y14.5 - 2009

**UNLESS OTHERWISE SPECIFIED DIMENSIONS ARE IN MILLIMETERS**  
 X ±3 X° ±1  
 X.X ±0.5 X.X° ±0.5  
 X.XX ±0.13  
**THIRD ANGLE PROJECTION**

**MATERIAL:** NYLON 6/6  
**FINISH:** BLACK  
**RELATED DOCUMENT:** HIGH LVL ASSY

**DRAFTER/DESIGNER**  
 Albert Luu  
**DATE (YYYY/MM/DD)**  
 2016/11/09  
**ENGINEERING APPROVED**  
**MANUFACTURING**  
**CHANGE RESPONSIBILITY**  
 TUALATIN  
**ECO No**  
 111676

**TITLE**  
 RTA BREAKER COVER  
**SIZE**  
 B  
**DRAWING NUMBER**  
 B151-7150-XX-SRV  
**REVISION**  
 A  
**CAGE CODE NO.**  
 N/A  
**CLASS CODE**  
 3  
**SCALE**  
 1:1  
**SHEET**  
 1 OF 1