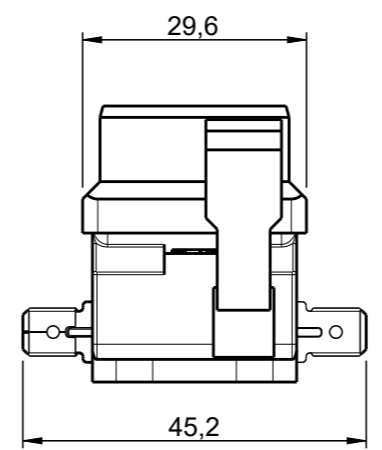
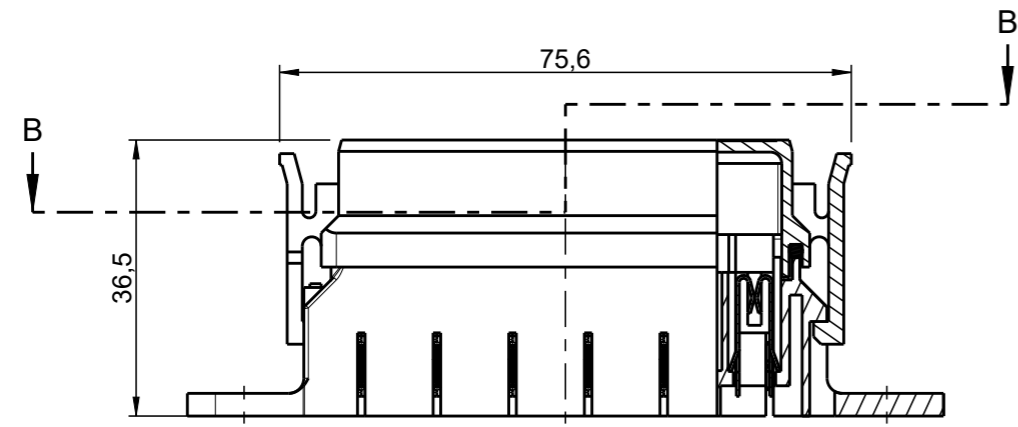
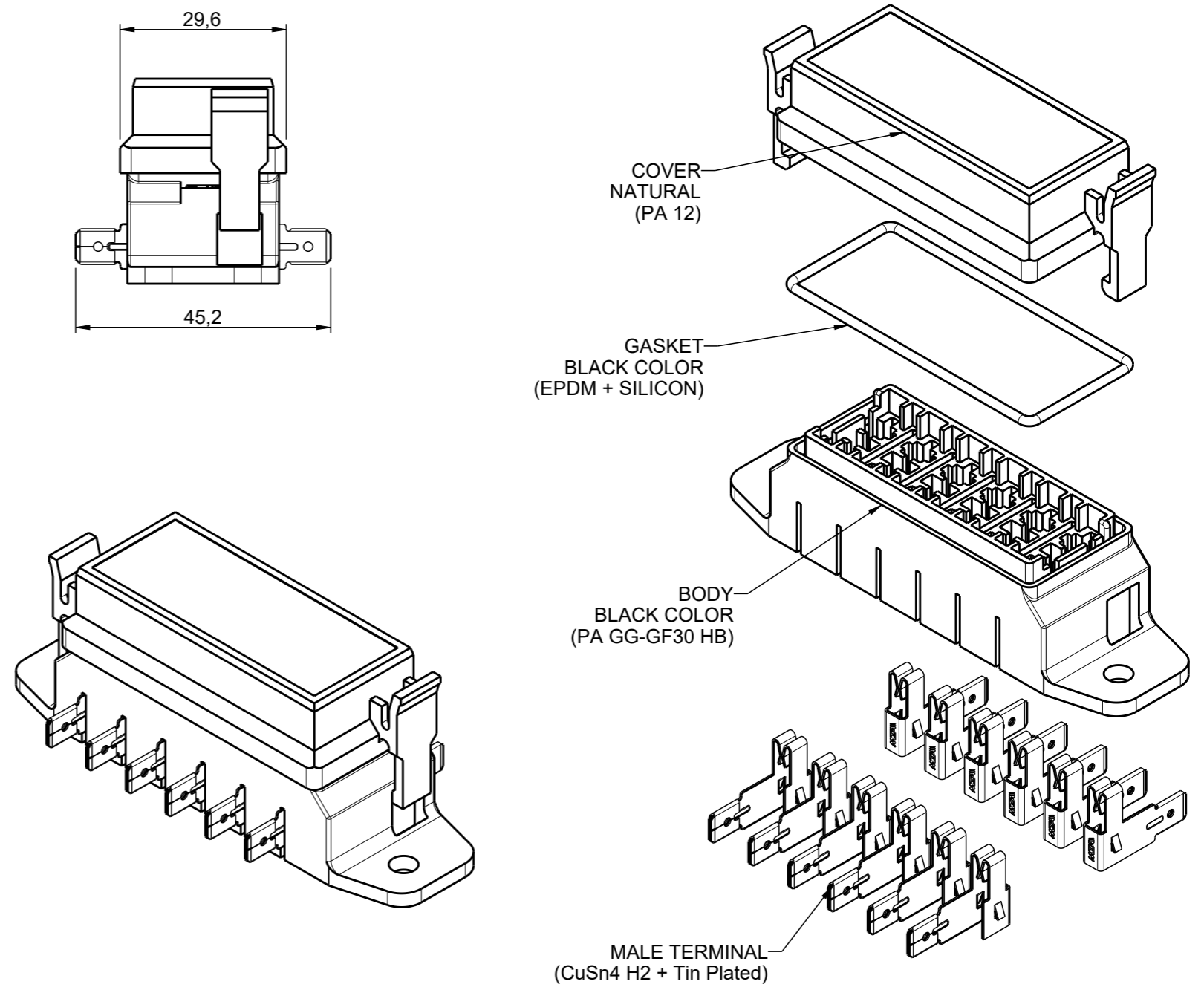
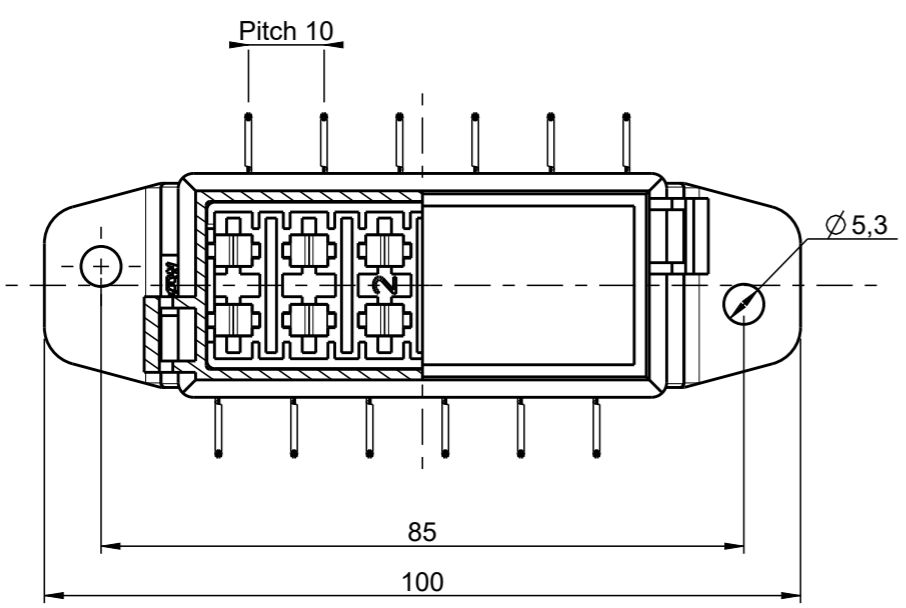


All propriety rights reserved by MECCANOTECHNICA CODOGNESE S.p.A. - This drawing shall not be reproduced, or in any way utilized for manufacture of the component or unit herein illustrated and must not be released to other parties without consent. Any infringement will be legally pursued.

REV.	REVISION HISTORY / STORICO REVISIONI	NAME / NOME	DATE / DATA
0	FIRST ISSUE / PRIMA EMISSIONE	M.CORBANI	06/11/1989
1	-	-	-
2	-	-	-
3	OPERATING FEATURE UPDATED	A.CAPELLI	30/11/2004
4	CORRECT COVER COLOR, DESIGN IN PRO-E	A.PIRLO	16/05/2017



SECTION B-B



OPERATING FEATURES		
FEATURES	UNIT	VALUE
V MAX	V	32
TEMPERATURE RANGE	°C	-30 / +85
IP	IEC 529	23
*I Continuous	A	RECOMMENDED 100A TOT: 20A/WAY

UNCONTROLLED COPY
in case of drawing updating/revision
NO AUTOMATIC
resubmission will follow

*APPLICATION WITH CURRENT HIGHER THAN THE INDICATED ONE, HAVE TO BE VERIFIED AND AUDITED ONE BY ONE

MTA	MTA P/N	0100600	Denom.	FUSE BOX UNIVAL SIDE 6 WAY
	Draw No.	B0-002.022A	Used for	-
	Draw for	CLIENT	Material	SEE DRAWING
Draft.	16/05/17	A.PIRLO	Coating	SEE DRAWING
Chk.	-	-	Colour	SEE DRAWING
Verif.	07.05.2018	F.SABELLA	Note	
PQApp	14.05.2018	M.ROSSI		
App.	15.05.2018	G.SPATARO		
REV.	All propriety rights reserved by MTA S.p.A. - This drawing shall not be reproduced, or in any way utilized, for the manufacture of the component or unit herein illustrated and must not be released to other parties, without written consent.			
4	Any infringement will be legally pursued.			