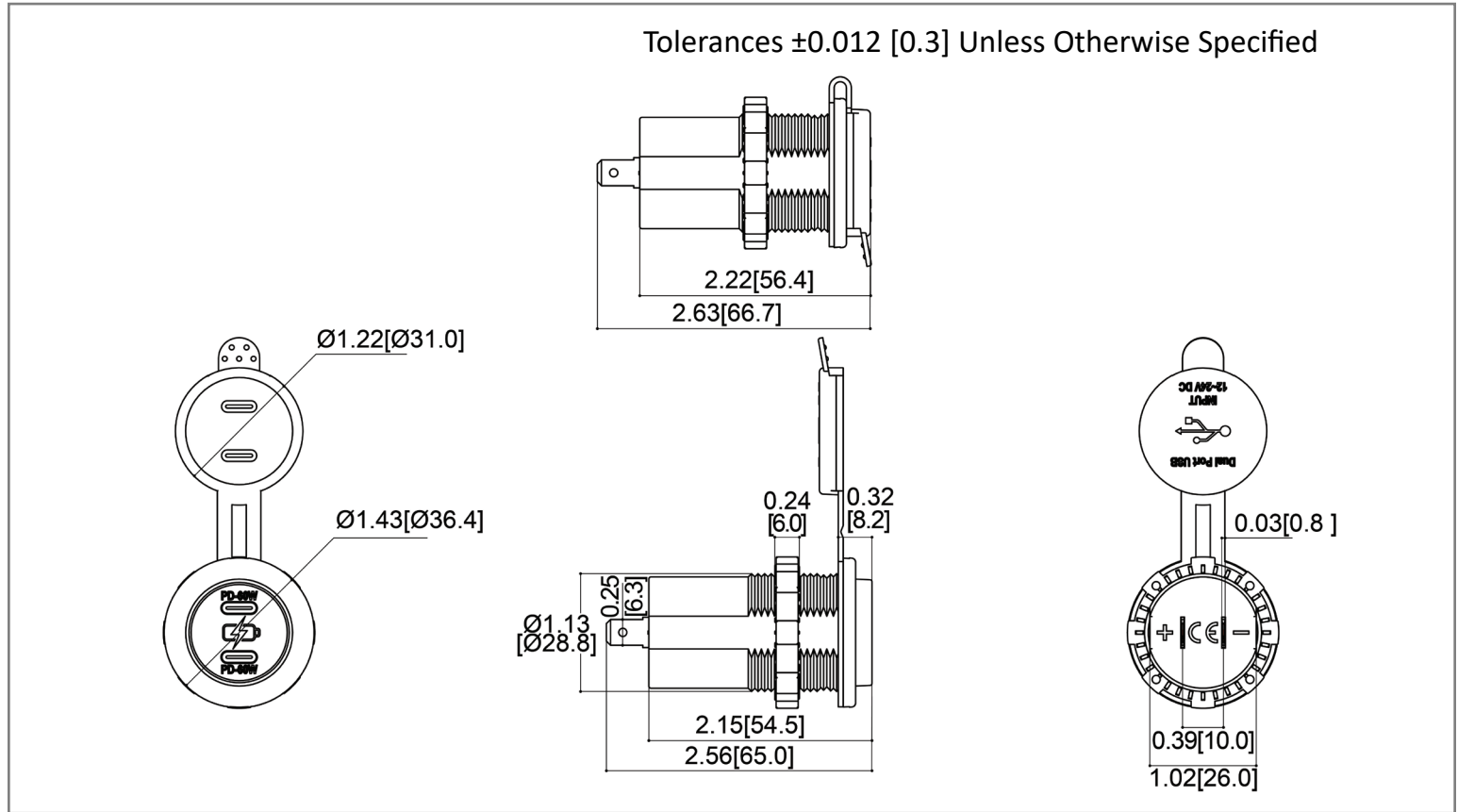
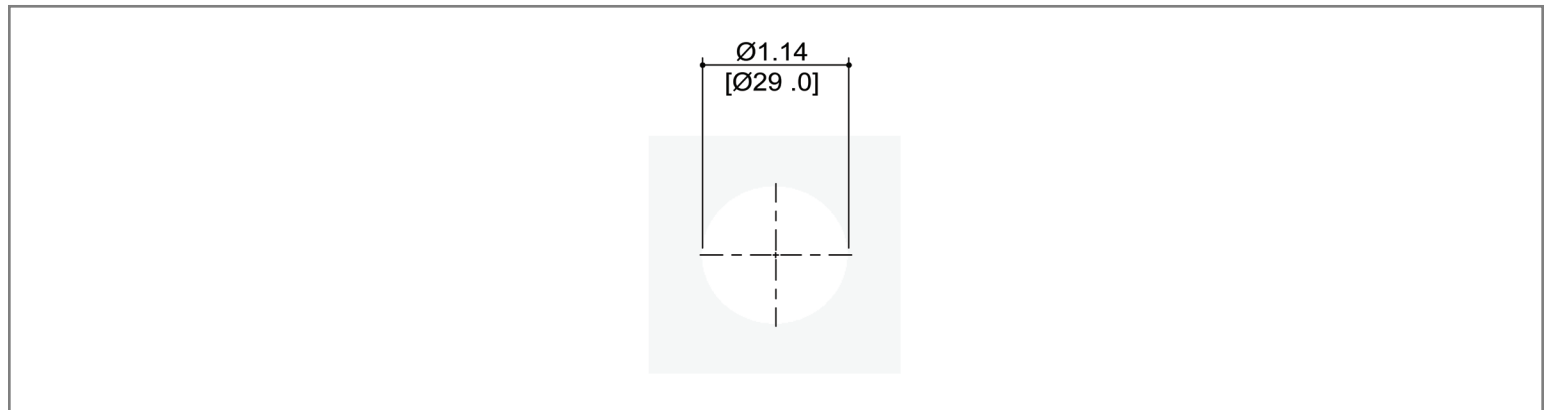


Mechanical Dimensions: Inches [mm]



Mounting Hole



Electrical Specifications

| | |
|-----------------------------|---|
| Nominal Voltage | 12/24VDC |
| Operating Voltage | 12V/32VDC (max) |
| Peak Voltage | 36VDC (max) (3~4 sec) |
| Output Rating (12VDC Input) | Type C Output 1 (5V~12V; 36W Max) Type C Output 2 (5V~12V; 36W Max) Type C + Type C (36W + 36W) |
| Output Rating (24VDC Input) | Type C Output 1 (5V~20V; 60W Max) Type C Output 2 (5V~20V; 60W Max) Type C + Type C (60W + 60W) |
| Operating Frequency | 100~150Khz |
| Current Draw | 20mA |
| Operation Temperature | -20 °C ~ 60 °C |

Material Specifications

| | |
|----------------------------|---------------------------|
| Two Type C USB Connections | |
| Terminals Material | Copper; Nickel Plated |
| Ingress Protection | IP65 (when cap is closed) |
| | |
| | |

Rev Date of issue Revision Notes

Designed Approved

| | | | | |
|---|------------|-----------------|----|----|
| A | 07-16-2024 | Initial Drawing | RC | OF |
|---|------------|-----------------|----|----|