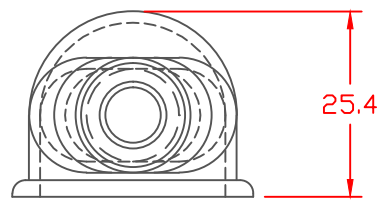
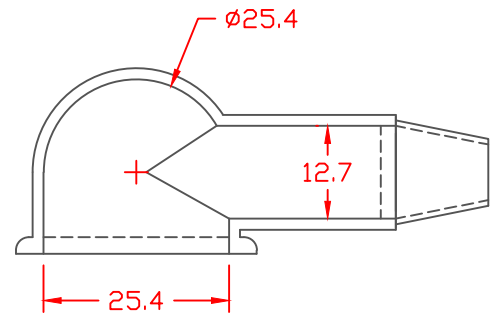


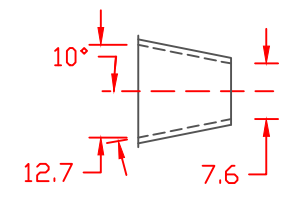
LTR.	REVISIONS	DATE	INT.
⌒	UPDATED DIMENSIONS	11-12-15	RAS

TYP. WALL THICKNESS = 1.5



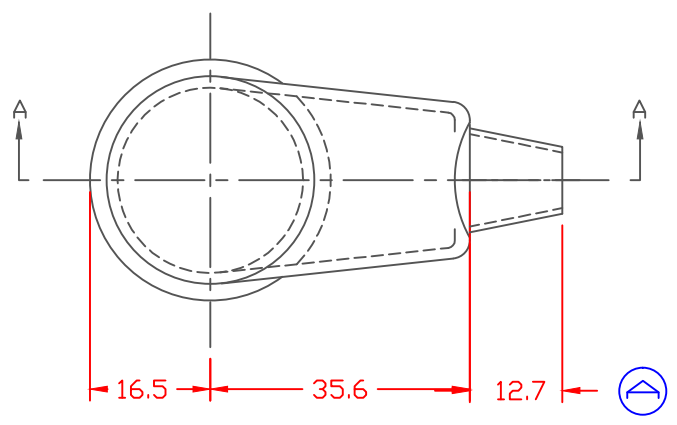
SEAL OPTIONS

SEAL THICKNESS = .8



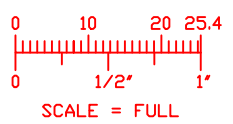
NO. 2
Cable Gages 8-2

SECTION A-A



Material: RED PVC
 Material Part No: 9812-65-RED683
 Max. Operating Temp: 105 C
 Shore Durometer: "A" 10 SEC. 67/62
 Specific Gravity: 1.34
 Ult. Elongation %: 475
 Brittle Temp: -44 C
 Tensile Strength PSI: 1547 PSI

U.L. Rating: 94 V2
 MEETS: FMVSS.302



TOLERANCE UNLESS OTHERWISE SPECIFIED: ±.030"/±0.8mm
 RADIAL DIAMETERS TO BE MEASURED OVER MANDRELS,
 RING GAGES OR PIN GAGES OF SUITABLE SIZE

REF:	DATE: 3-26-98	DRN BY: JC CHK'D BY:	WEIGHT: .019 LBS. / 8.48 G.
------	------------------	-------------------------	--------------------------------

TITLE: EYELET TERMINAL INSULATOR

MATERIAL:	PART NO. 23544
COLOR:	DRG CLASS